



Washdown

NEMA

MOTOR MODEL:	WX3-AL-TF-184TC-4-B-D-5
FACTORY TYPE:	TXA

Premium NEMA Cast Aluminum, TEFC

ELECTRICAL DATA		
	60 Hz	50 Hz
Horsepower	5.0	5.0
Speed, RPM	1750	1445
Voltage	230/460	190/380
# Phase	3	
Full Load Amps	12.4/6.18	14.5/7.25
Power Factor	0.84	-
Nominal Efficiency	89.5	88.4
Service Factor	1.25	1.0
KVA Code	L	H
FL Amps. @ 208 V	13.2	-
LRC @ 60Hz HV	103.939	-
Start Capacitor	-	
Start Capacitor V	-	
Run Capacitor	-	
Run Capacitor V	-	
Number of Leads	9	
Connection	YY/Y	
Coil Resistance	-	
Date Code	-	
Load	Efficiency %	P.F.
50%	-	-
75%	-	-
100%	-	-
FULL LOAD TEMPERATURE RISE		
FL Temp Rise °C	37.0	37.0
3D Image Link		
Not available for this motor		

GENERAL DATA		
Frame Size	184TC	
Frame Enclosure	TEFC	
Mounting	Rigid/C-Flange	
Insulation Class	F	
Duty	Cont. / S1	
NEMA Design	A	
Frame Material	Cast Aluminum	
Ingress Protection	56	
Tropicalization	true	
Cable Entry	1-NPT 3/4"	
Feet Removable	true	
Double Drilled	-	
Paint Color	-	
Paint RAL	-	
Weight lb	73.5	
MECHANICAL DATA		
DE Bearing	6306ZZ	
NDE Bearing	6206ZZ	
dB No-Load	-	
Rotor Wk ² , Lb-Ft ²	-	
Comp Ring (wavy washer)	-	
TORQUE VALUES		
	Torque lb-ft	% FLT
Locked Rotor Torque	37.8741	253.0
Pull-Up Torque	33.6825	225.0
Breakdown Torque	54.1914	362.0
Full Load Torque	14.97	100.0
SITE CONDITIONS		
Ambient Temp °C	40	
Altitude Above Sea Level m	1000	

*This report valid for above Date Code and newer models, please contact Techtop for more info.



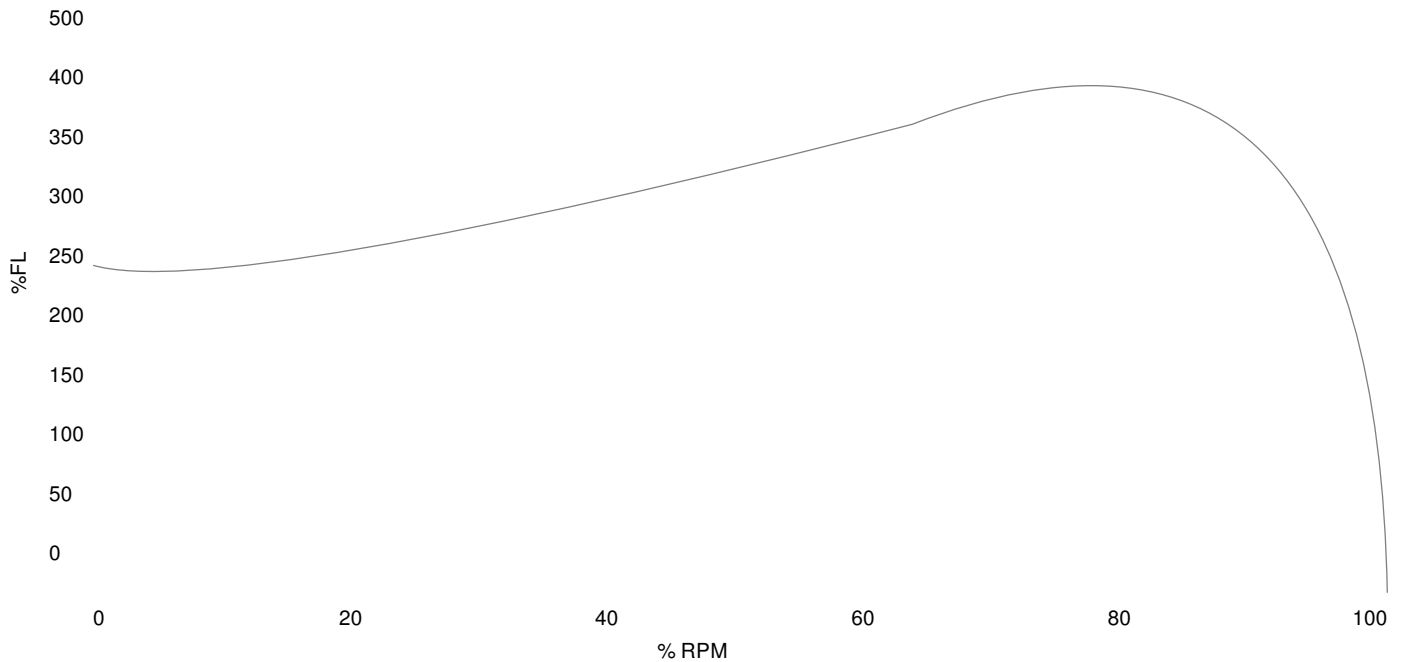
Washdown

NEMA

MOTOR MODEL:	WX3-AL-TF-184TC-4-B-D-5
FACTORY TYPE:	TXA

Premium NEMA Cast Aluminum, TEFC

Torque Speed (T-n) Curve



Performance Load Values, High Voltage, 60Hz

Torque Values	Torque lb-ft	% FLT	Performance Values
Locked Rotor Torque	37.8741	253.0	Start Configuration
Pull-Up Torque	33.6825	225.0	Starting Current (A)
Breakdown Torque	54.1914	362.0	No-Load Current (A)
Full Load	14.97	100.0	No-Load Power Factor

% Load	Horsepower	Current, Amps	Input power, Kilowatts	Speed, RPM	Efficiency	PF
0	-	-	-	-	-	-
25	1.25	-	-	-	-	-
50	2.5	-	-	-	-	-
75	3.75	-	-	-	-	-
100	5.0	-	-	-	-	-
125	6.25	-	-	-	-	-

Techtop Industries
 2815 Colonnades Court
 Peachtree Corners, GA 30071
 Tel: 678-436-5540
 E-Mail: info@techttopind.com



Washdown

NEMA

MOTOR MODEL:	WX3-AL-TF-184TC-4-B-D-5
FACTORY TYPE:	TXA

Premium NEMA Cast Aluminum, TEFC





Washdown

NEMA

MOTOR MODEL:	WX3-AL-TF-184TC-4-B-D-5
FACTORY TYPE:	TXA

Premium NEMA Cast Aluminum, TEFC



Techtop Industries
2815 Colonnades Court
Peachtree Corners, GA 30071
Tel: 678-436-5540
E-Mail: info@techttopind.com

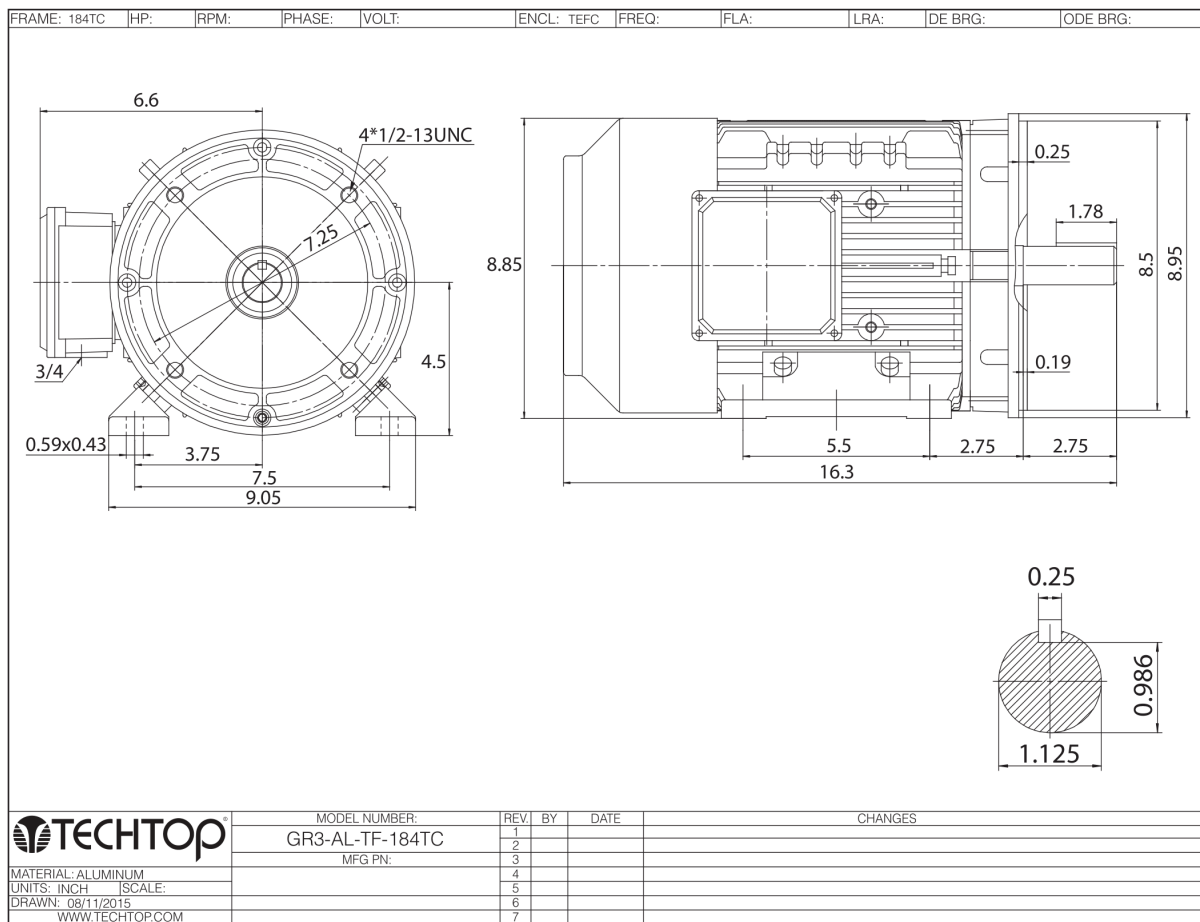


Washdown

NEMA

MOTOR MODEL:	WX3-AL-TF-184TC-4-B-D-5
FACTORY TYPE:	TXA

Premium NEMA Cast Aluminum, TEFC



Techtop Industries
 2815 Colonnades Court
 Peachtree Corners, GA 30071
 Tel: 678-436-5540
 E-Mail: info@techttopind.com