



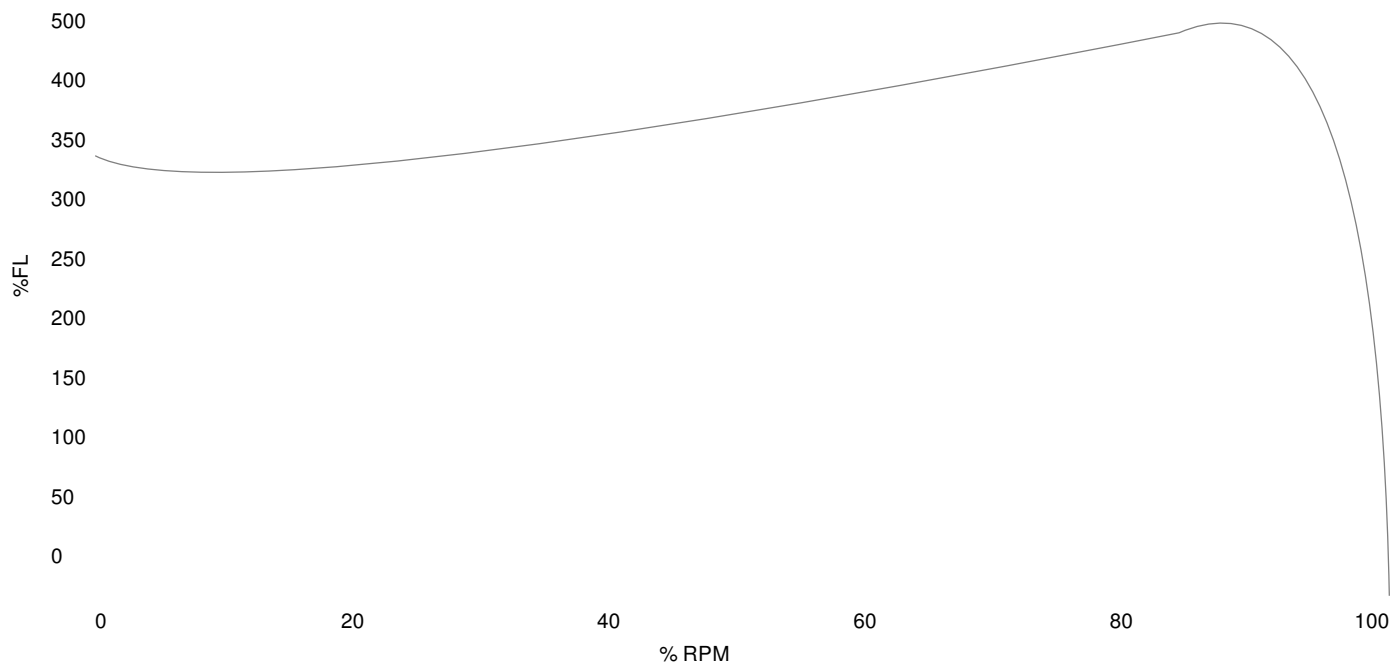
Three Phase Open Enclosure

MOTOR MODEL:	GR3-RS-OP-145TC-4-B-D-1.5
FACTORY TYPE:	-

NEMA

NEMA Rolled Steel, ODP

Torque Speed (T-n) Curve



Performance Load Values, High Voltage, 60Hz

Torque Values	Torque lb-ft	% FLT	Performance Values
Locked Rotor Torque	15.37	340.0	Start Configuration
Pull-Up Torque	13.11	290.0	Starting Current (A)
Breakdown Torque	19.66	435.0	No-Load Current (A)
Full Load	4.52	100.0	No-Load Power Factor

% Load	Horsepower	Current, Amps	Input power, Kilowatts	Speed, RPM	Efficiency	PF
0	-	-	-	-	-	-
25	-	-	-	-	-	-
50	-	-	-	-	83.21	0.5463
75	-	-	-	-	86.01	0.6798
100	-	-	-	-	86.73	0.7612
125	-	-	-	-	-	-

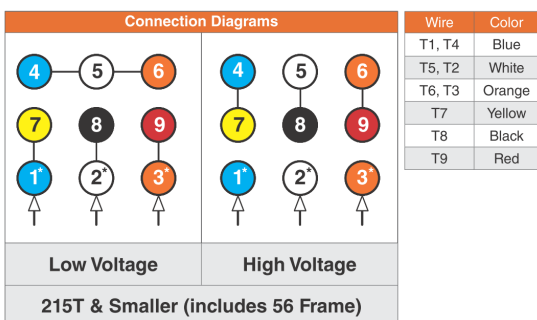
Techtop Industries
 2815 Colonnades Court
 Peachtree Corners, GA 30071
 Tel: 678-436-5540
 E-Mail: info@techttopind.com

MOTOR MODEL:	GR3-RS-OP-145TC-4-B-D-1.5
FACTORY TYPE:	-

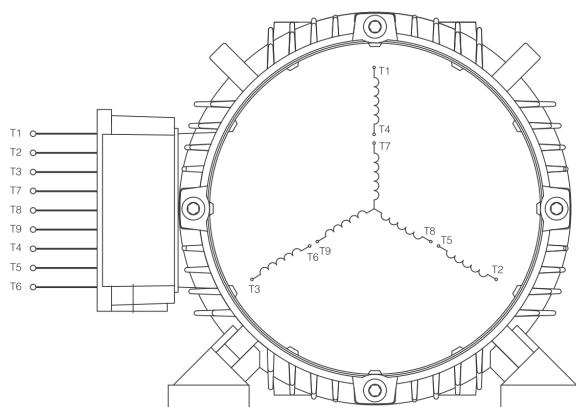
NEMA

NEMA Rolled Steel, ODP

3 Phase NEMA YY/Y 9 Lead 230/460V



When motor is in F1 position, leads shown with "*" exit the casing above the center line of the motor, the remaining leads exit below the center line. This information can be used to identify missing or mislabelled leads.



NEMA

MOTOR MODEL:	GR3-RS-OP-145TC-4-B-D-1.5
FACTORY TYPE:	-

NEMA Rolled Steel, ODP

