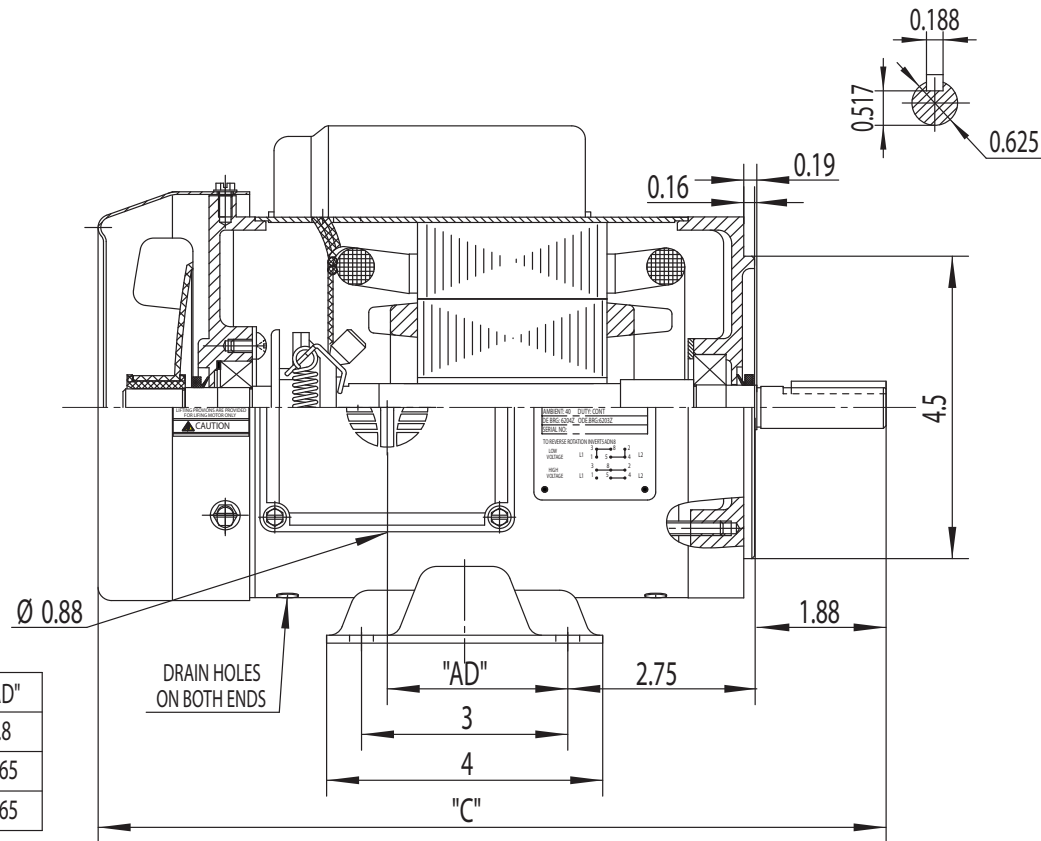


HP	"C"	"AD"
1/3	10.7	1.8
1/2	11.5	2.65
3/4	11.5	2.65



NEMA TEFC 56C

Drawing Number:	RD1-RS-TF-56C
Dimensions:	Inches
Mounting:	Rigid/C-Flange
Casing Material:	Rolled Steel

Issued Date:	6/22/15
TEFC - Red Line NEMA High Torque Farm Duty Series	