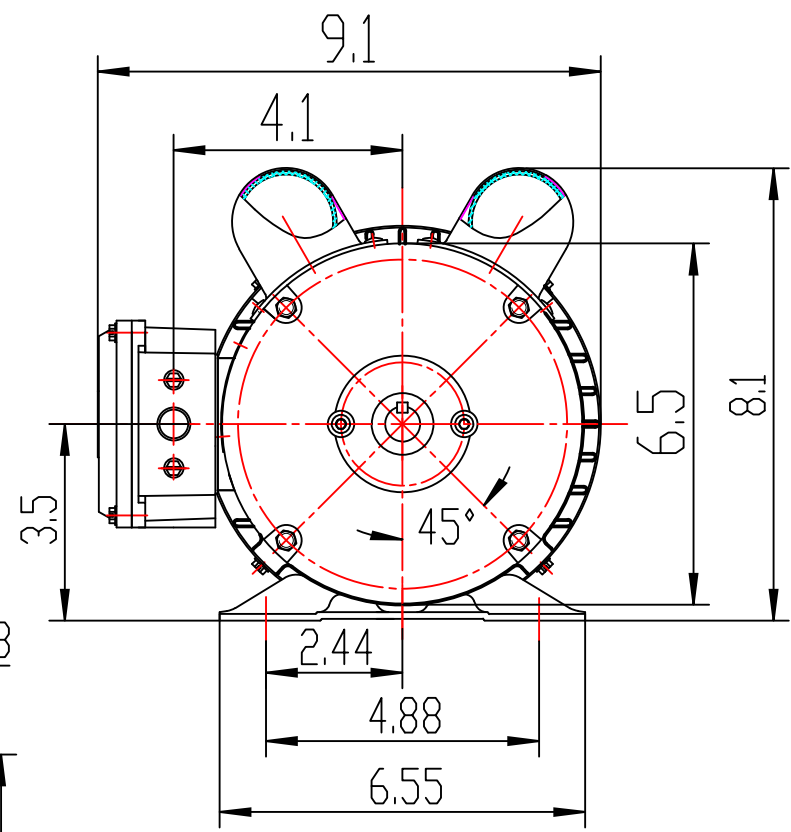
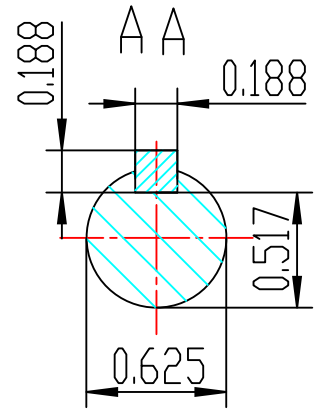


0.188SQ×1.38KEY



DRAIN HOLES
ON BOTH ENDS

- RD1-RS-TF-56H-4-B-C-1
- RD1-RS-TF-56H-4-B-C-1.5
- RD1-RS-TF-56H-4-B-C-2

OUTLINE-56H FRAME
SINGLE PHASE-TEFC