

NAMEPLATE DATA		
	60 Hz.	50 Hz.
Horsepower	0.5	-
Frame Size	56	
Speed, RPM	1725	-
Voltage	1 Phase US	-
# Phase	1	
Full Load Amps	5.2/2.9-2.6	-
Power Factor	0.9	-
Nominal Efficiency	70.0	-
3/4 Load Efficiency	-	-
Service Factor	1.15	-
Duty	Cont. / S1	
FL Temp Rise °C	44.67	-
Enclosure	TEFC	
Ambient Temp °C	40	
KVA Code	K	-
FL Amps. @ 208 V	2.9	-
Insulation Class	F	
NEMA Design	L	
Weight	27.0	
DE Bearing	6203-2RZ	
NDE Bearing	6202-2RZ	
dB No-Load	-	
Rotor Wk <sup>2</sup> , Lb-Ft <sup>2</sup>	-	
Start Capacitor		
Start Capacitor V	125V	
Run Capacitor		
Run Capacitor V	250V	
Number of Leads	7	
Connection	-	
Coil Resistance	0.0	

<b>Motor Model:</b>	<b>RD1-RS-TF-56-4-B-C-.5</b>
---------------------	------------------------------

Performance Load Values:

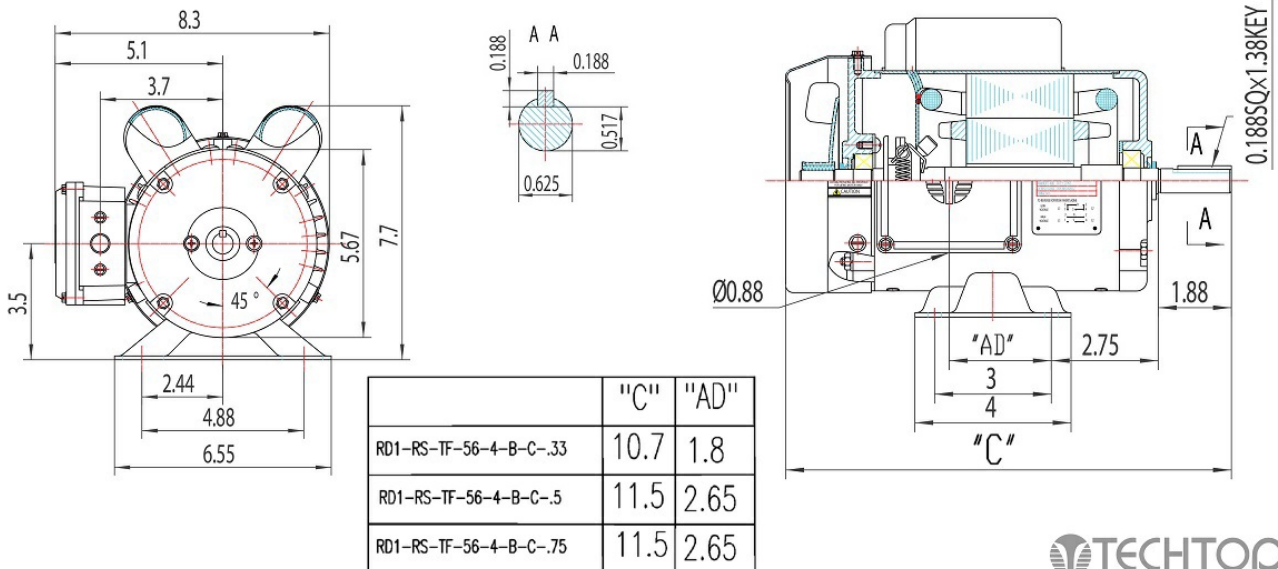
% Load	Horsepower	Current, Amps	Input power, Kilowatts	Speed, RPM	Efficiency	PF
0	-	-	-	-	-	-
25	-	-	-	-	-	-
50	-	-	-	-	-	-
75	-	-	-	-	-	-
100	-	-	-	-	-	-
125	-	-	-	-	-	-
150	-	-	-	-	-	-
SF	-	-	-	-	-	-

	Torque, Lb-Ft	% Full Load Torque	Speed, RPM	Current Amps.
Locked Rotor Torque	5.56092	366.0	-	722.0
Pull Up Torque	4.29984	283.0	-	-
Breakdown Torque	4.8924	322.0	-	-
Full Load	1.51938	100.0	-	2.42

### Speed Torque Curve

Please contact Techtop for image.

### Dimensional Drawing



Dimensions are for reference only. Allowance should be made for minor deviations in non standard specified properties.

3D Image Link: Not available for this motor