

NAMEPLATE DATA		
	60 Hz.	50 Hz.
Horsepower	3.0	-
Frame Size	182T	
Speed, RPM	1740	-
Voltage	1 Phase US	-
# Phase	1	
Full Load Amps	14.3-12.9	-
Power Factor	0.93	-
Nominal Efficiency	80.0	-
3/4 Load Efficiency	-	-
Service Factor	1.15	-
Duty	Cont. / S1	
FL Temp Rise °C	-	-
Enclosure	TEFC	
Ambient Temp °C	40	
KVA Code	H	-
FL Amps. @ 208 V	14.3	-
Insulation Class	F	
NEMA Design	L	
Weight	92.0	
DE Bearing	6306-2RZ	
NDE Bearing	6206-2RZ	
dB No-Load	-	
Rotor Wk ² , Lb-Ft ²	-	
Start Capacitor		
Start Capacitor V	330	
Run Capacitor		
Run Capacitor V	450	
Number of Leads	5	
Connection	-	
Coil Resistance	0.0	

Motor Model:	RD1-RS-TF-182T-4-B-B-3
---------------------	-------------------------------

Performance Load Values:

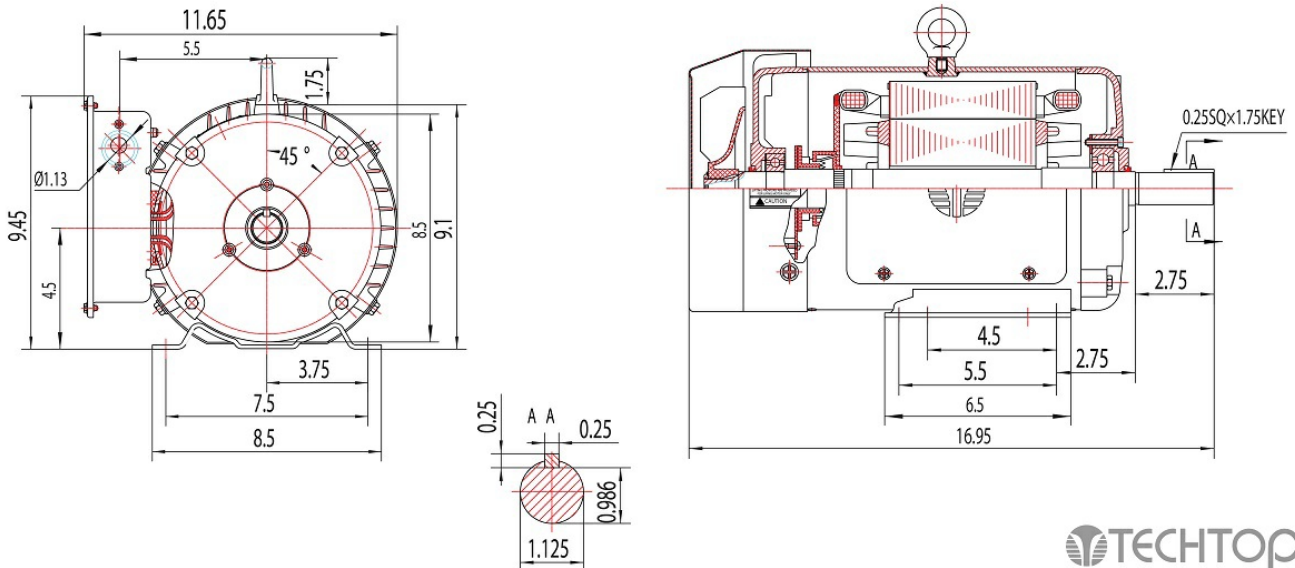
% Load	Horsepower	Current, Amps	Input power, Kilowatts	Speed, RPM	Efficiency	PF
0	-	-	-	-	-	-
25	-	-	-	-	-	-
50	-	-	-	-	-	-
75	-	-	-	-	-	-
100	-	-	-	-	-	-
125	-	-	-	-	-	-
150	-	-	-	-	-	-
SF	-	-	-	-	-	-

	Torque, Lb-Ft	% Full Load Torque	Speed, RPM	Current Amps.
Locked Rotor Torque	38.8067	437.0	-	731.0
Pull Up Torque	19.6253	221.0	-	-
Breakdown Torque	21.135	238.0	-	-
Full Load	8.88025	100.0	-	12.37

Speed Torque Curve

Please contact Techtop for image.

Dimensional Drawing



Dimensions are for reference only. Allowance should be made for minor deviations in non standard specified properties.

3D Image Link: Not available for this motor