

Techtop Industries Nameplate and Performance Data

NAMEPLATE DATA		
	60 Hz.	50 Hz.
Horsepower	7.5	-
Frame Size	213T	
Speed, RPM	1755	1440
Voltage	3 Phase US	190/380
# Phase	3	
Full Load Amps	18.2/9.10	-
Power Factor	0.85	-
Nominal Efficiency	91.0	-
3/4 Load Efficiency	-	-
Service Factor	1.25	1.0
Duty	Cont. / S1	
FL Temp Rise °C	38.0	62.0
Enclosure	ODP	
Ambient Temp °C	-	
KVA Code	K	G
FL Amps. @ 208 V	20.1	-
Insulation Class	F	
NEMA Design	-	
Weight	-	
DE Bearing	6208ZZ	
NDE Bearing	6206ZZ	
dB No-Load	-	
Rotor Wk², Lb-Ft²	-	
Start Capacitor	-	
Start Capacitor V	-	
Run Capacitor	-	
Run Capacitor V	-	
Number of Leads	9	
Connection	YY/Y	
Coil Resistance	-	

Motor Model:	GR3-RS-OP-213T-4-B-D-7.5
---------------------	---------------------------------

Performance Load Values:

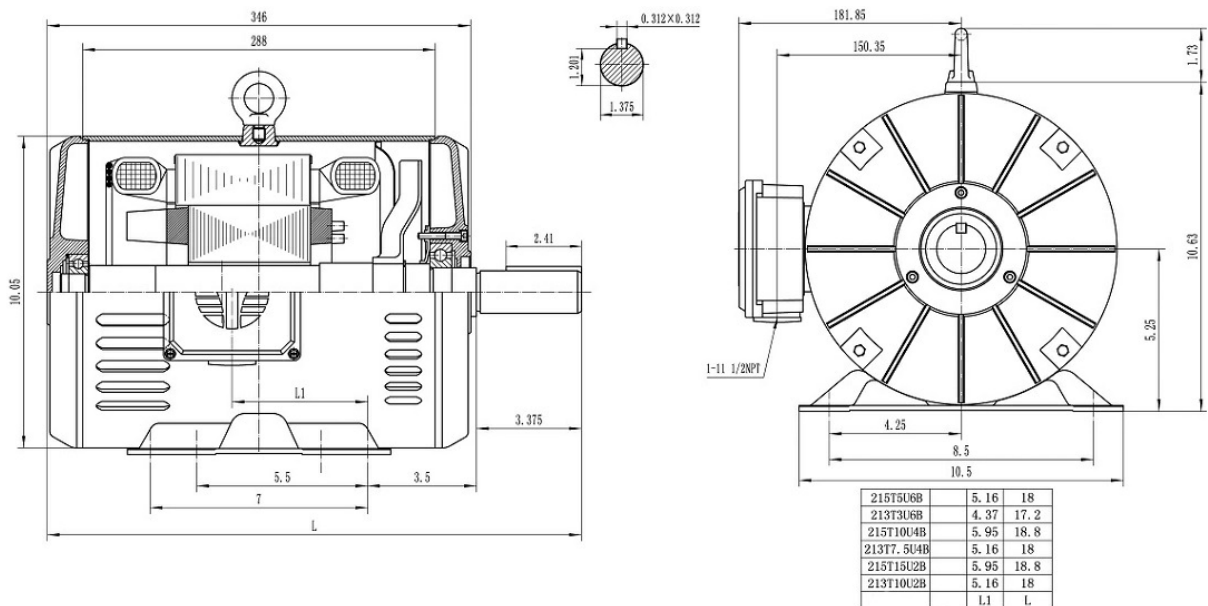
% Load	Horsepower	Current, Amps	Input power, Kilowatts	Speed, RPM	Efficiency	PF
0	-	-	-	-	-	-
25	-	-	-	-	-	-
50	-	-	-	-	91.72	0.7274
75	-	-	-	-	92.06	0.8187
100	-	-	-	-	91.4	0.8537
125	-	-	-	-	-	-
150	-	-	-	-	-	-
SF	-	-	-	-	-	-

	Torque, Lb-Ft	% Full Load Torque	Speed, RPM	Current Amps.
Locked Rotor Torque	51.36	230.0	-	-
Pull Up Torque	35.71	160.0	-	-
Breakdown Torque	70.68	315.0	-	-
Full Load	22.4	100.0	-	-

Speed Torque Curve

Please contact Techtop for image.

Dimensional Drawing



Dimensions are for reference only. Allowance should be made for minor deviations in non standard specified properties.

3D Image Link: Not available for this motor