

Techtop Industries Nameplate and Performance Data

NAMEPLATE DATA		
	60 Hz.	50 Hz.
Horsepower	2.0	-
Frame Size	145T	
Speed, RPM	1740	1420
Voltage	3 Phase US	190/380
# Phase	3	
Full Load Amps	5.48/2.74	-
Power Factor	0.79	-
Nominal Efficiency	86.5	-
3/4 Load Efficiency	-	-
Service Factor	1.25	1.0
Duty	Cont. / S1	
FL Temp Rise °C	43.0	63.0
Enclosure	ODP	
Ambient Temp °C	-	
KVA Code	L	H
FL Amps. @ 208 V	5.85	-
Insulation Class	F	
NEMA Design	-	
Weight	-	
DE Bearing	6205ZZ	
NDE Bearing	6203ZZ	
dB No-Load	-	
Rotor Wk ² , Lb-Ft ²	-	
Start Capacitor		
Start Capacitor V		
Run Capacitor		
Run Capacitor V		
Number of Leads	9	
Connection	YY/Y	
Coil Resistance	-	

Motor Model:	GR3-RS-OP-145T-4-B-D-2
---------------------	-------------------------------

Performance Load Values:

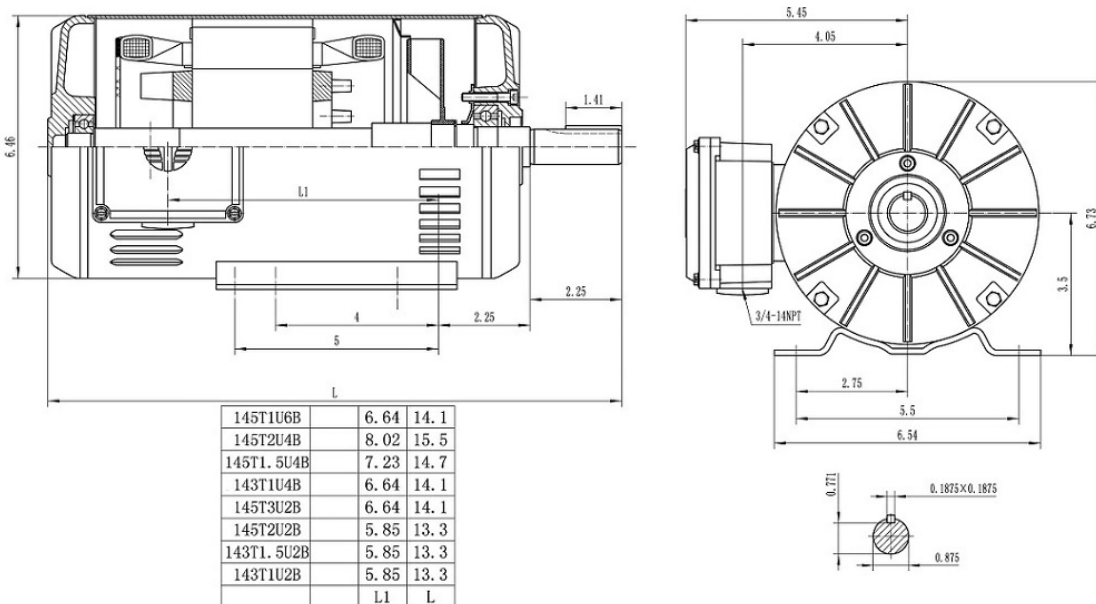
% Load	Horsepower	Current, Amps	Input power, Kilowatts	Speed, RPM	Efficiency	PF
0	-	-	-	-	-	-
25	-	-	-	-	-	-
50	-	-	-	-	85.3	0.5978
75	-	-	-	-	87.18	0.7282
100	-	-	-	-	87.24	0.8011
125	-	-	-	-	-	-
150	-	-	-	-	-	-
SF	-	-	-	-	-	-

	Torque, Lb-Ft	% Full Load Torque	Speed, RPM	Current Amps.
Locked Rotor Torque	19.71	325.0	-	-
Pull Up Torque	17.58	290.0	-	-
Breakdown Torque	24.24	400.0	-	-
Full Load	6.06	100.0	-	-

Speed Torque Curve

Please contact Techtop for image.

Dimensional Drawing



Dimensions are for reference only. Allowance should be made for minor deviations in non standard specified properties.

3D Image Link: Not available for this motor