

## Techtop Industries Nameplate and Performance Data

NAMEPLATE DATA		
	60 Hz.	50 Hz.
Horsepower	1.5	-
Frame Size	143T	
Speed, RPM	3500	2850
Voltage	3 Phase US	190/380
# Phase	3	
Full Load Amps	4.08/2.04	-
Power Factor	0.82	-
Nominal Efficiency	84.0	-
3/4 Load Efficiency	-	-
Service Factor	1.25	1.0
Duty	Cont. / S1	
FL Temp Rise °C	45.0	64.0
Enclosure	ODP	
Ambient Temp °C	-	
KVA Code	L	H
FL Amps. @ 208 V	4.28	-
Insulation Class	F	
NEMA Design	-	
Weight	-	
DE Bearing	6205ZZ	
NDE Bearing	6203ZZ	
dB No-Load	-	
Rotor Wk <sup>2</sup> , Lb-Ft <sup>2</sup>	-	
Start Capacitor		
Start Capacitor V		
Run Capacitor		
Run Capacitor V		
Number of Leads	9	
Connection	YY/Y	
Coil Resistance	-	

<b>Motor Model:</b>	<b>GR3-RS-OP-143T-2-B-D-1.5</b>
---------------------	---------------------------------

Performance Load Values:

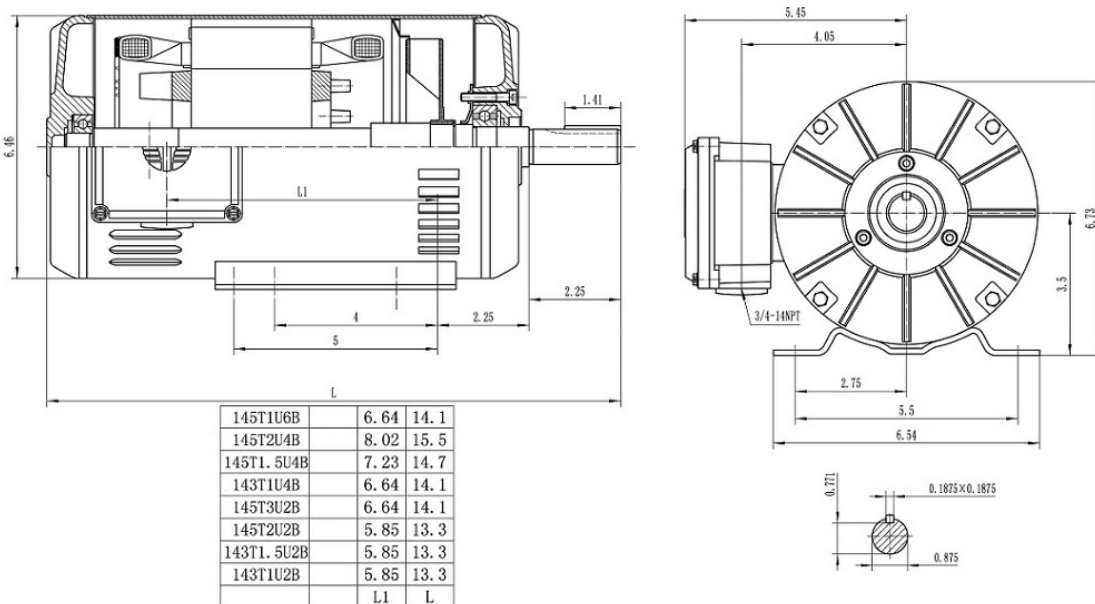
% Load	Horsepower	Current, Amps	Input power, Kilowatts	Speed, RPM	Efficiency	PF
0	-	-	-	-	-	-
25	-	-	-	-	-	-
50	-	-	-	-	81.05	0.6438
75	-	-	-	-	83.96	0.7648
100	-	-	-	-	84.59	0.8297
125	-	-	-	-	-	-
150	-	-	-	-	-	-
SF	-	-	-	-	-	-

	Torque, Lb-Ft	% Full Load Torque	Speed, RPM	Current Amps.
Locked Rotor Torque	6.22	275.0	-	-
Pull Up Torque	5.42	240.0	-	-
Breakdown Torque	8.48	375.0	-	-
Full Load	2.26	100.0	-	-

### Speed Torque Curve

Please contact Techtop for image.

### Dimensional Drawing



Dimensions are for reference only. Allowance should be made for minor deviations in non standard specified properties.

3D Image Link: Not available for this motor