

| NAMEPLATE DATA                             |                      |        |
|--|----------------------|--------|
|  | 60 Hz.               | 50 Hz. |
| Horsepower                                 | 200.0                | 200.0  |
| Frame Size                                 | 447TS                |        |
| Speed, RPM                                 | 3575                 | -      |
| Voltage                                    | 3 Phase US<br>(575V) | -      |
| # Phase                                    | 3                    |        |
| Full Load Amps                             | 174.4815325          | -      |
| Power Factor                               | 0.92                 | -      |
| Nominal Efficiency                         | 95.4                 | -      |
| 3/4 Load Efficiency                        | -                    | -      |
| Service Factor                             | 1.15                 | 1.0    |
| Duty                                       | Cont. / S1           |        |
| FL Temp Rise °C                            | 84.0                 | -      |
| Enclosure                                  | TEFC                 |        |
| Ambient Temp °C                            | 40                   |        |
| KVA Code                                   | H                    | -      |
| FL Amps. @ 208 V                           | -                    | -      |
| Insulation Class                           | F                    |        |
| NEMA Design                                | A                    |        |
| Weight                                     | 1858.81              |        |
| DE Bearing                                 | 6316C3               |        |
| NDE Bearing                                | 6316C3               |        |
| dB No-Load                                 | -                    |        |
| Rotor Wk <sup>2</sup> , Lb-Ft <sup>2</sup> | -                    |        |
| Start Capacitor                            | -                    |        |
| Start Capacitor V                          | -                    |        |
| Run Capacitor                              | -                    |        |
| Run Capacitor V                            | -                    |        |
| Number of Leads                            | 6                    |        |
| Connection                                 | ?                    |        |
| Coil Resistance                            | -                    |        |

|                     |                                   |
|---------------------|-----------------------------------|
| <b>Motor Model:</b> | <b>GR3-CI-TF-447TS-2-BR-F-200</b> |
|---------------------|-----------------------------------|

Performance Load Values:

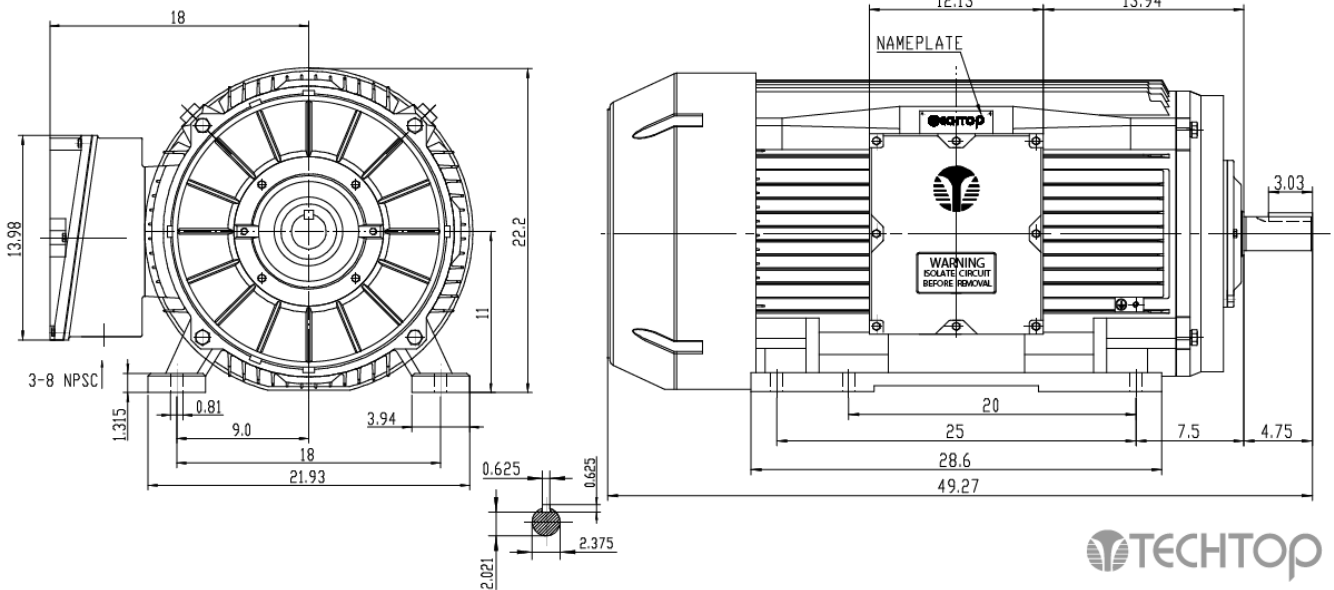
| % Load | Horsepower | Current, Amps | Input power, Kilowatts | Speed, RPM | Efficiency | PF   |
|--------|------------|---------------|------------------------|------------|------------|------|
| 0      | 100.0      | 67.08         | -                      | -          | -          | -    |
| 25     | 100.0      | 91.34         | 47.12                  | 3594.9     | 91.52      | 0.65 |
| 50     | 100.0      | 138.2         | 91.12                  | 3590.1     | 94.65      | 0.83 |
| 75     | 150.0      | 191.27        | 135.71                 | 3585.0     | 95.33      | 0.89 |
| 100    | 200.0      | 249.02        | 180.93                 | 3579.7     | 95.34      | 0.91 |
| 125    | 100.0      | 285.29        | 208.39                 | 3576.4     | 95.19      | 0.92 |
| 150    | 100.0      | 309.94        | 226.85                 | 3574.2     | 95.05      | 0.92 |
| SF     | -          | -             | -                      | -          | -          | -    |

|                     | Torque, Lb-Ft | % Full Load Torque | Speed, RPM | Current Amps. |
|---------------------|---------------|--------------------|------------|---------------|
| Locked Rotor Torque | 1541.82       | 523.0              | -          | 1571.0        |
| Pull Up Torque      | -             | -                  | -          | -             |
| Breakdown Torque    | 1627.32       | 552.0              | -          | -             |
| Full Load           | 294.804       | 100.0              | 3584.0     | 218.7         |

#### Speed Torque Curve

Please contact Techtop for image.

#### Dimensional Drawing



Dimensions are for reference only. Allowance should be made for minor deviations in non standard specified properties.

3D Image Link: Not available for this motor

