

## Techtop Industries Nameplate and Performance Data

NAMEPLATE DATA		
	60 Hz.	50 Hz.
Horsepower	150.0	150.0
Frame Size	447T	
Speed, RPM	1180	980
Voltage	3 Phase US	380
# Phase	3	
Full Load Amps	170.4698846	205
Power Factor	0.87	-
Nominal Efficiency	95.8	94.0
3/4 Load Efficiency	-	-
Service Factor	1.15	1.0
Duty	Cont. / S1	
FL Temp Rise °C	86.0	-
Enclosure	TEFC	
Ambient Temp °C	40	
KVA Code	H	E
FL Amps. @ 208 V	-	-
Insulation Class	F	
NEMA Design	A	
Weight	2041.83	
DE Bearing	NU319	
NDE Bearing	6319C3	
dB No-Load	-	
Rotor Wk <sup>2</sup> , Lb-Ft <sup>2</sup>	-	
Start Capacitor		
Start Capacitor V	-	
Run Capacitor		
Run Capacitor V	-	
Number of Leads	6	
Connection	?	
Coil Resistance	0.06	

<b>Motor Model:</b>	<b>GR3-CI-TF-447T-6-RR-E-150</b>
---------------------	----------------------------------

Performance Load Values:

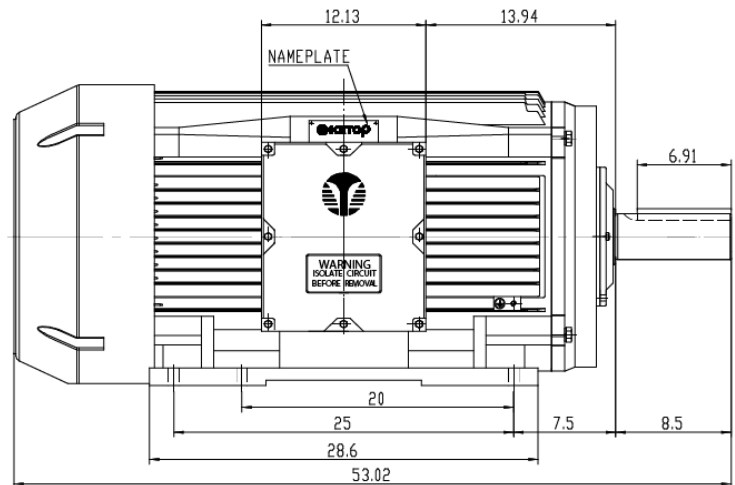
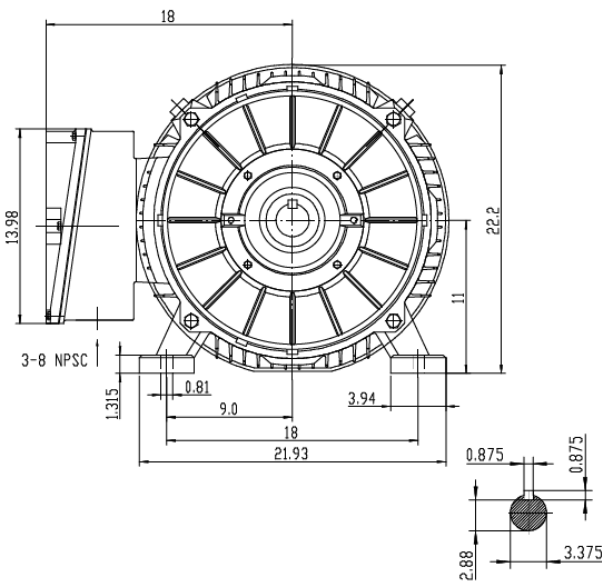
% Load	Horsepower	Current, Amps	Input power, Kilowatts	Speed, RPM	Efficiency	PF
0	75.0	84.78	-	-	-	-
25	75.0	96.55	35.54	1197.9	90.75	0.46
50	75.0	125.58	68.42	1196.0	94.27	0.68
75	112.5	162.53	101.76	1193.9	95.08	0.79
100	150.0	205.53	135.61	1191.6	95.13	0.83
125	75.0	252.72	170.0	1189.2	94.85	0.84
150	75.0	302.22	204.97	1186.6	94.4	0.85
SF	-	-	-	-	-	-

	Torque, Lb-Ft	% Full Load Torque	Speed, RPM	Current Amps.
Locked Rotor Torque	2127.76	279.0	-	847.0
Pull Up Torque	1677.81	220.0	-	-
Breakdown Torque	2547.22	334.0	-	-
Full Load	762.639	100.0	1193.4	205.5

### Speed Torque Curve

Please contact Techtop for image.

### Dimensional Drawing



Dimensions are for reference only. Allowance should be made for minor deviations in non standard specified properties.

3D Image Link: <https://onedrive.live.com/redirect?resid=D9AD913FBF3860CC!2032&authkey=IAHuChOYDnzrccQ4&ihint=file%2cSTEP>