

Techtop Industries Nameplate and Performance Data

NAMEPLATE DATA		
	60 Hz	50 Hz
Horsepower	150.0	150.0
Frame Size	445TC	
Speed, RPM	1780	1480
Voltage	460	380
# Phase	3	
Full Load Amps	166.595569	200
Power Factor	0.88	-
Nominal Efficiency	95.8	94.3
3/4 Load Efficiency	-	-
Service Factor	1.15	1.0
Duty	Cont. / S1	
FL Temp Rise °C	60.0	-
Enclosure	TEFC	
Ambient Temp °C	40	
KVA Code	H	D
FL Amps. @ 208 V	-	-
Insulation Class	F	
NEMA Design	A	
Weight	1631.7	
DE Bearing	6319C3	
NDE Bearing	6319C3	
dB No-Load	-	
Rotor Wk ² , Lb-Ft ²	-	
Start Capacitor	-	
Start Capacitor V	-	
Run Capacitor	-	
Run Capacitor V	-	
Number of Leads	6	
Connection	?	
Coil Resistance	-	

Motor Model:	GR3-CI-TF-445TC-4-BR-E-150
---------------------	-----------------------------------

Performance Load Values:

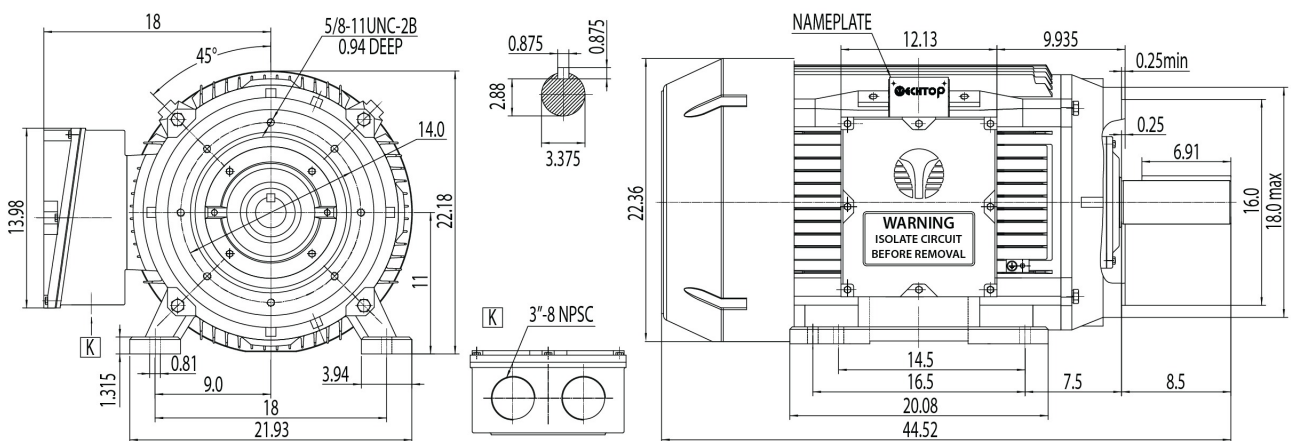
% Load	Horsepower	Current, Amps	Input power, Kilowatts	Speed, RPM	Efficiency	PF
0	-	65.07	-	-	-	-
25	37.5	78.63	34.53	1797.4	91.59	0.55
50	75.0	109.21	66.75	1794.9	94.76	0.77
75	112.5	146.37	99.37	1792.3	95.48	0.85
100	150.0	187.92	132.44	1789.6	95.52	0.88
125	187.5	214.06	152.51	1787.9	95.39	0.89
150	225.0	231.7	165.97	1786.7	95.27	0.9
SF	-	-	-	-	-	-

	Torque, Lb-Ft	% Full Load Torque	Speed, RPM	Current Amps.
Locked Rotor Torque	1962.2	455.0	-	1941.71
Pull Up Torque	983.256	228.0	-	-
Breakdown Torque	2005.32	465.0	-	-
Full Load	431.253	100.0	1794.0	166.1

Speed Torque Curve

Please contact Techtop for image.

Dimensional Drawing



Dimensions are for reference only. Allowance should be made for minor deviations in non standard specified properties.

3D Image Link: Not available for this motor