

Techtop Industries Nameplate and Performance Data

NAMEPLATE DATA		
	60 Hz.	50 Hz.
Horsepower	60.0	60.0
Frame Size	404T	
Speed, RPM	1185	980
Voltage	3 Phase US	190/380
# Phase	3	
Full Load Amps	141.54/70.77	166/83
Power Factor	0.85	-
Nominal Efficiency	94.5	92.5
3/4 Load Efficiency	-	-
Service Factor	1.15	1.0
Duty	Cont. / S1	
FL Temp Rise °C	64.0	-
Enclosure	TEFC	
Ambient Temp °C	40	
KVA Code	J	E
FL Amps. @ 208 V	-	-
Insulation Class	F	
NEMA Design	A	
Weight	975.713	
DE Bearing	NU316	
NDE Bearing	6314C3	
dB No-Load	-	
Rotor Wk ² , Lb-Ft ²	-	
Start Capacitor		
Start Capacitor V	-	
Run Capacitor		
Run Capacitor V	-	
Number of Leads	12	
Connection	??/?	
Coil Resistance	0.15684	

Motor Model:	GR3-CI-TF-404T-6-RR-D-60
---------------------	---------------------------------

Performance Load Values:

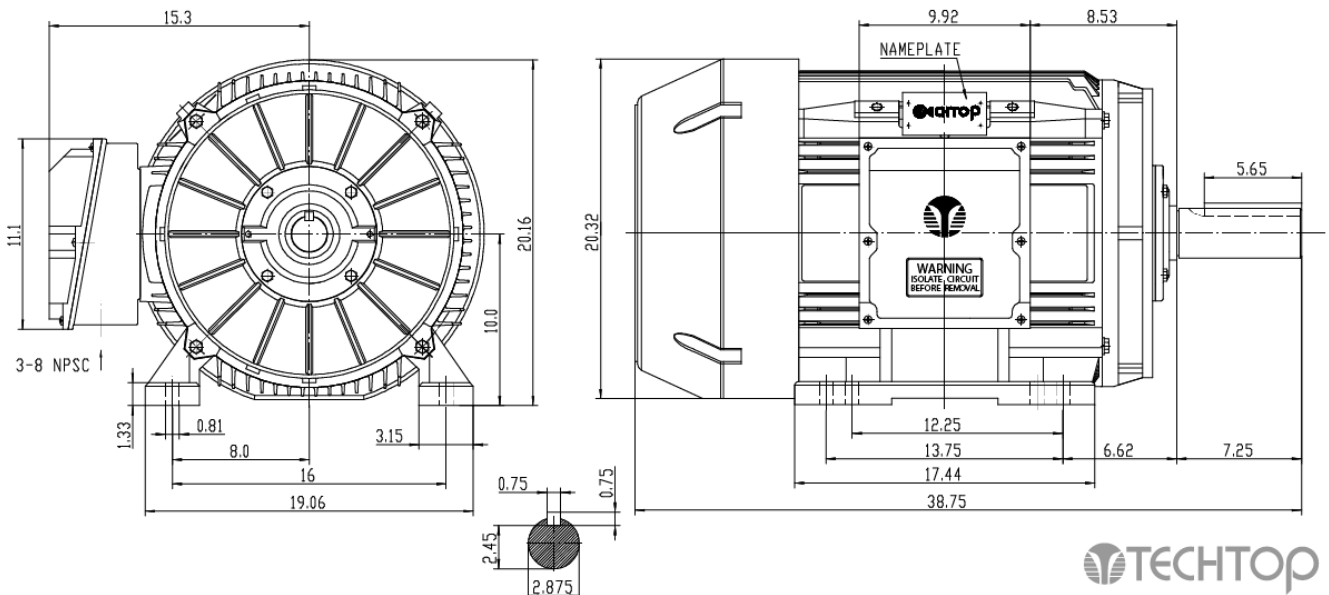
% Load	Horsepower	Current, Amps	Input power, Kilowatts	Speed, RPM	Efficiency	PF
0	30.0	24.92	-	-	-	-
25	30.0	29.93	12.66	1196.9	88.86	0.53
50	30.0	40.96	24.18	1193.9	93.05	0.74
75	45.0	54.47	35.88	1190.5	94.06	0.83
100	60.0	69.89	47.8	1186.9	94.14	0.86
125	30.0	79.81	55.06	1184.6	93.99	0.87
150	30.0	86.63	59.95	1183.1	93.83	0.87
SF	-	-	-	-	-	-

	Torque, Lb-Ft	% Full Load Torque	Speed, RPM	Current Amps.
Locked Rotor Torque	636.28	237.0	-	789.0
Pull Up Torque	338.276	126.0	-	-
Breakdown Torque	644.334	240.0	-	-
Full Load	268.473	100.0	1186.9	69.89

Speed Torque Curve

Please contact Techtop for image.

Dimensional Drawing



Dimensions are for reference only. Allowance should be made for minor deviations in non standard specified properties.

3D Image Link: Not available for this motor