

Techtop Industries Nameplate and Performance Data

NAMEPLATE DATA		
	60 Hz	50 Hz
Horsepower	75.0	75.0
Frame Size	365TS	
Speed, RPM	3560	-
Voltage	575	-
# Phase	3	
Full Load Amps	66.68885495	-
Power Factor	0.9	-
Nominal Efficiency	93.6	-
3/4 Load Efficiency	-	-
Service Factor	1.15	1.0
Duty	Cont. / S1	
FL Temp Rise °C	62.0	-
Enclosure	TEFC	
Ambient Temp °C	40	
KVA Code	K	-
FL Amps. @ 208 V	-	-
Insulation Class	F	
NEMA Design	A	
Weight	784.98	
DE Bearing	6313C3	
NDE Bearing	6313C3	
dB No-Load	-	
Rotor Wk ² , Lb-Ft ²	-	
Start Capacitor	-	
Start Capacitor V	-	
Run Capacitor	-	
Run Capacitor V	-	
Number of Leads	6	
Connection	?	
Coil Resistance	-	

Motor Model:	GR3-CI-TF-365TS-2-BR-F-75
---------------------	----------------------------------

Performance Load Values:

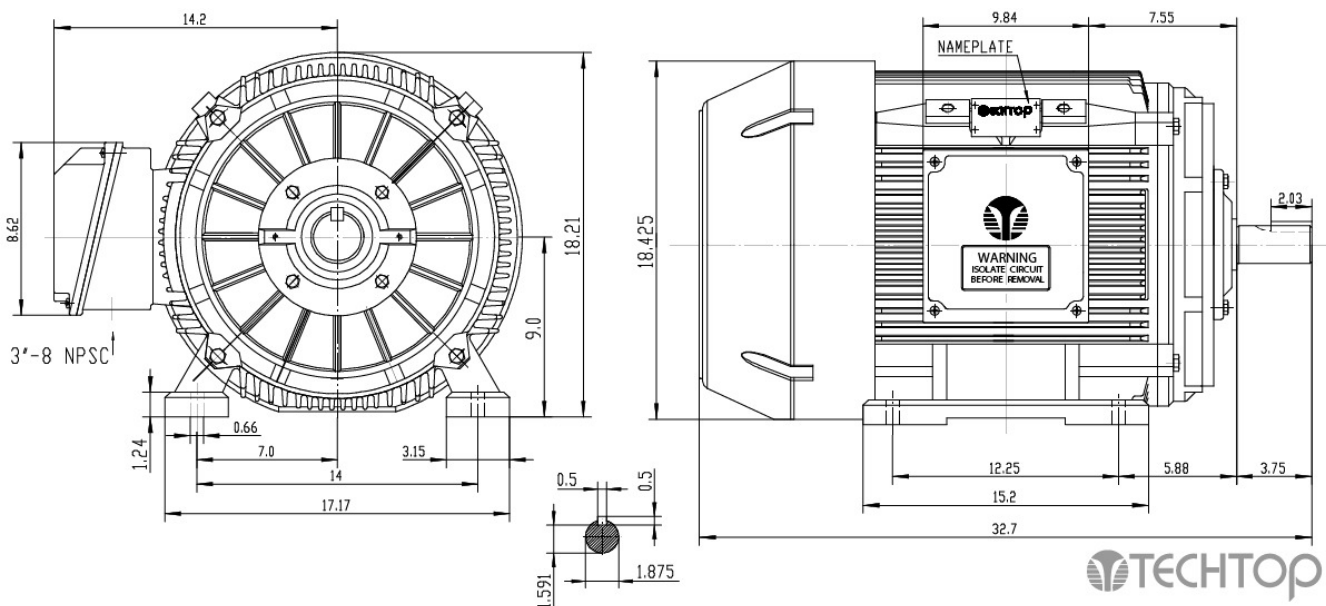
% Load	Horsepower	Current, Amps	Input power, Kilowatts	Speed, RPM	Efficiency	PF
0	-	21.47	-	-	-	-
25	18.75	29.98	15.92	3593.2	87.92	0.67
50	37.5	45.56	30.26	3586.7	92.53	0.83
75	56.25	63.16	44.83	3579.8	93.68	0.89
100	75.0	63.16	44.83	3579.8	93.68	0.89
125	93.75	102.35	74.74	3565.1	93.66	0.92
150	112.5	122.91	90.09	3557.2	93.24	0.92
SF	-	-	-	-	-	-

	Torque, Lb-Ft	% Full Load Torque	Speed, RPM	Current Amps.
Locked Rotor Torque	447.777	408.0	-	941.877
Pull Up Torque	210.719	192.0	-	-
Breakdown Torque	409.365	373.0	-	-
Full Load	109.749	100.0	3572.6	82.26

Speed Torque Curve

Please contact Techtop for image.

Dimensional Drawing



Dimensions are for reference only. Allowance should be made for minor deviations in non standard specified properties.

3D Image Link: Not available for this motor