

NAMEPLATE DATA		
	60 Hz.	50 Hz.
Horsepower	75.0	75.0
Frame Size	365T	
Speed, RPM	1775	1465
Voltage	3 Phase US	190/380
# Phase	3	
Full Load Amps	167.29/83.65	207/103.5
Power Factor	0.87	-
Nominal Efficiency	95.4	92.5
3/4 Load Efficiency	-	-
Service Factor	1.15	1.0
Duty	Cont. / S1	
FL Temp Rise °C	62.0	-
Enclosure	TEFC	
Ambient Temp °C	40	
KVA Code	L	F
FL Amps. @ 208 V	-	-
Insulation Class	F	
NEMA Design	A	
Weight	873.18	
DE Bearing	6313C3	
NDE Bearing	6313C3	
dB No-Load	-	
Rotor Wk <sup>2</sup> , Lb-Ft <sup>2</sup>	-	
Start Capacitor		
Start Capacitor V	-	
Run Capacitor		
Run Capacitor V	-	
Number of Leads	12	
Connection	??/?	
Coil Resistance	0.13141	

<b>Motor Model:</b>	<b>GR3-CI-TF-365T-4-BR-D-75</b>
---------------------	---------------------------------

Performance Load Values:

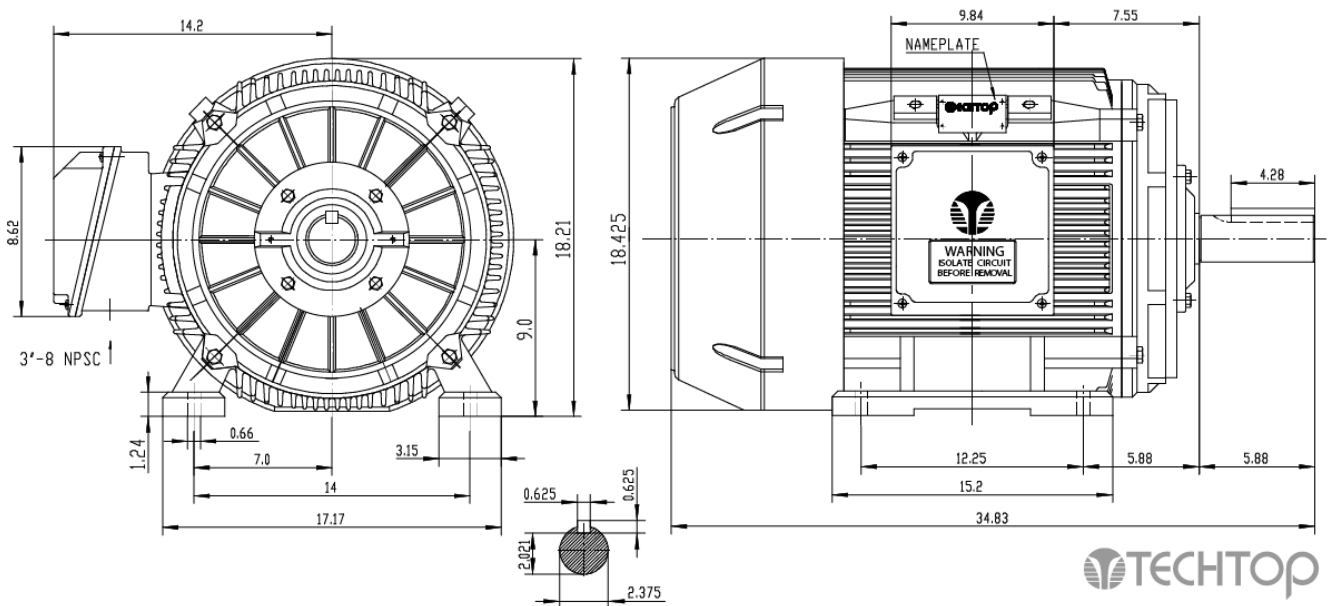
% Load	Horsepower	Current, Amps	Input power, Kilowatts	Speed, RPM	Efficiency	PF
0	37.5	27.82	-	-	-	-
25	37.5	32.3	15.16	1795.3	92.0	0.59
50	37.5	47.4	29.4	1790.9	94.91	0.78
75	56.25	64.34	43.82	1786.2	95.51	0.85
100	75.0	82.84	58.45	1781.2	95.47	0.89
125	37.5	102.61	73.31	1775.9	95.15	0.9
150	37.5	123.38	88.41	1770.2	94.67	0.9
SF	-	-	-	-	-	-

	Torque, Lb-Ft	% Full Load Torque	Speed, RPM	Current Amps.
Locked Rotor Torque	734.712	328.0	-	1001.0
Pull Up Torque	369.596	165.0	-	-
Breakdown Torque	665.273	297.0	-	-
Full Load	223.998	100.0	1781.2	82.84

#### Speed Torque Curve

Please contact Techtop for image.

#### Dimensional Drawing



Dimensions are for reference only. Allowance should be made for minor deviations in non standard specified properties.

3D Image Link: Not available for this motor