

Techtop Industries Nameplate and Performance Data

NAMEPLATE DATA		
	60 Hz.	50 Hz.
Horsepower	60.0	60.0
Frame Size	364TS	
Speed, RPM	3560	2940
Voltage	3 Phase US	190/380
# Phase	3	
Full Load Amps	136.41/68.2	162.4/81.2
Power Factor	0.89	-
Nominal Efficiency	93.6	91.2
3/4 Load Efficiency	-	-
Service Factor	1.15	1.0
Duty	Cont. / S1	
FL Temp Rise °C	49.0	-
Enclosure	TEFC	
Ambient Temp °C	40	
KVA Code	L	E
FL Amps. @ 208 V	-	-
Insulation Class	F	
NEMA Design	A	
Weight	761.828	
DE Bearing	6313C3	
NDE Bearing	6313C3	
dB No-Load	-	
Rotor Wk ² , Lb-Ft ²	-	
Start Capacitor		
Start Capacitor V	-	
Run Capacitor		
Run Capacitor V	-	
Number of Leads	12	
Connection	??/?	
Coil Resistance	0.10856	

Motor Model:	GR3-CI-TF-364TS-2-BR-D-60
---------------------	----------------------------------

Performance Load Values:

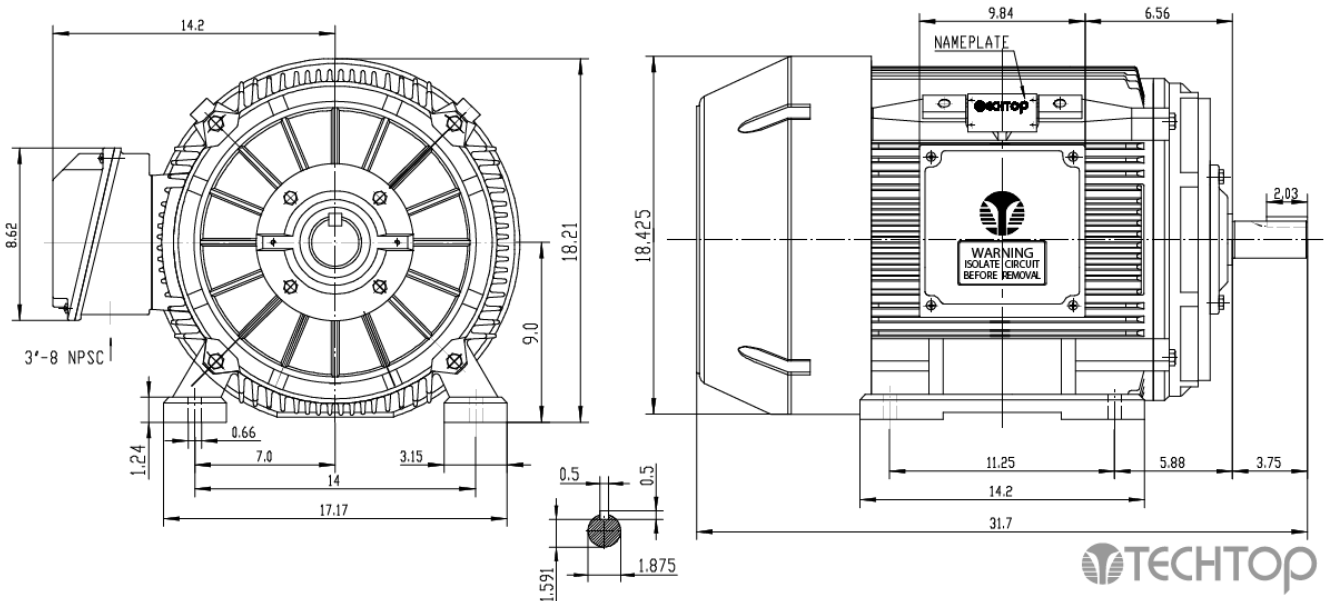
% Load	Horsepower	Current, Amps	Input power, Kilowatts	Speed, RPM	Efficiency	PF
0	30.0	21.45	-	-	-	-
25	30.0	27.65	13.48	3593.7	83.47	0.61
50	30.0	39.47	24.95	3587.9	90.17	0.79
75	45.0	53.0	36.57	3581.7	92.28	0.87
100	60.0	67.84	48.35	3575.2	93.07	0.89
125	30.0	83.6	60.3	3568.4	93.29	0.91
150	30.0	99.88	72.42	3561.3	93.21	0.91
SF	-	-	-	-	-	-

	Torque, Lb-Ft	% Full Load Torque	Speed, RPM	Current Amps.
Locked Rotor Torque	382.352	432.0	-	1060.0
Pull Up Torque	151.348	171.0	-	-
Breakdown Torque	318.627	360.0	-	-
Full Load	88.5075	100.0	3575.2	67.78

Speed Torque Curve

Please contact Techtop for image.

Dimensional Drawing



Dimensions are for reference only. Allowance should be made for minor deviations in non standard specified properties.

3D Image Link: Not available for this motor