

## Techtop Industries Nameplate and Performance Data

NAMEPLATE DATA		
	60 Hz	50 Hz
Horsepower	30.0	30.0
Frame Size	326TC	
Speed, RPM	1180	965
Voltage	230/460	190/380
# Phase	3	
Full Load Amps	72.78/36.39	88.8/44.4
Power Factor	0.82	-
Nominal Efficiency	93.0	90.0
3/4 Load Efficiency	-	-
Service Factor	1.25	1.0
Duty	Cont. / S1	
FL Temp Rise °C	63.0	-
Enclosure	TEFC	
Ambient Temp °C	40	
KVA Code	M	E
FL Amps. @ 208 V	80.4776	-
Insulation Class	F	
NEMA Design	A	
Weight	648.27	
DE Bearing	6312C3	
NDE Bearing	6312C3	
dB No-Load	-	
Rotor Wk <sup>2</sup> , Lb-Ft <sup>2</sup>	-	
Start Capacitor	-	
Start Capacitor V	-	
Run Capacitor	-	
Run Capacitor V	-	
Number of Leads	12	
Connection	??/?	
Coil Resistance	-	

<b>Motor Model:</b>	<b>GR3-CI-TF-326TC-6-BR-D-30</b>
---------------------	----------------------------------

Performance Load Values:

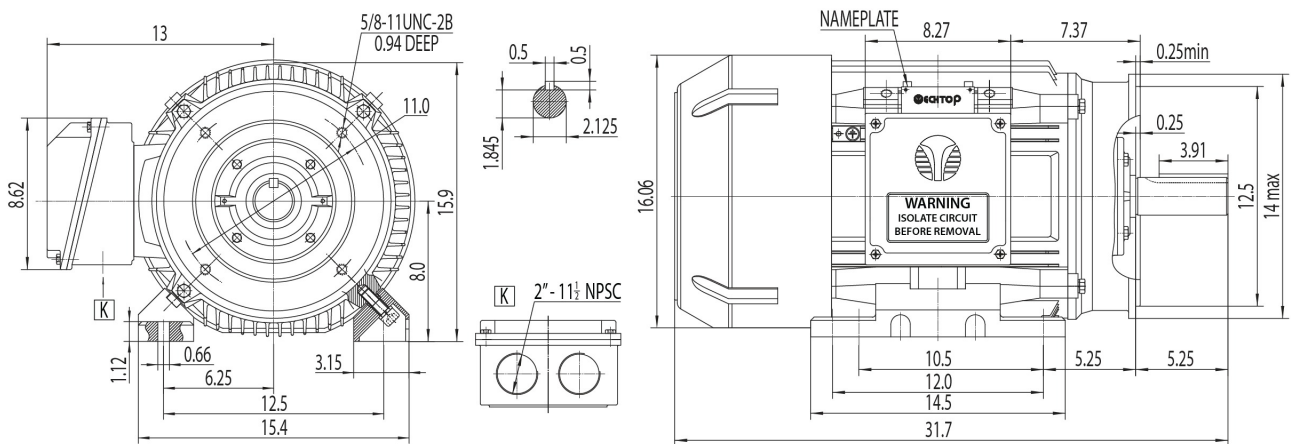
% Load	Horsepower	Current, Amps	Input power, Kilowatts	Speed, RPM	Efficiency	PF
0	-	17.02	-	-	-	-
25	7.5	18.23	6.31	1196.0	88.29	0.43
50	15.0	23.42	12.07	1192.5	92.38	0.65
75	22.5	29.7	17.94	1188.6	93.22	0.76
100	30.0	36.9	23.95	1184.5	93.12	0.81
125	37.5	44.85	30.1	1179.9	92.6	0.84
150	45.0	53.36	36.42	1175.1	91.84	0.86
SF	-	-	-	-	-	-

	Torque, Lb-Ft	% Full Load Torque	Speed, RPM	Current Amps.
Locked Rotor Torque	406.285	302.0	-	407.376
Pull Up Torque	216.595	161.0	-	-
Breakdown Torque	495.075	368.0	-	-
Full Load	134.531	100.0	1184.5	36.9

### Speed Torque Curve

Please contact Techtop for image.

### Dimensional Drawing



Dimensions are for reference only. Allowance should be made for minor deviations in non standard specified properties.

3D Image Link: Not available for this motor