

## Techtop Industries Nameplate and Performance Data

NAMEPLATE DATA		
	60 Hz.	50 Hz.
Horsepower	50.0	50.0
Frame Size	326T	
Speed, RPM	1770	-
Voltage	3 Phase US (575V)	-
# Phase	3	
Full Load Amps	47.18123071	-
Power Factor	0.87	-
Nominal Efficiency	94.5	-
3/4 Load Efficiency	-	-
Service Factor	1.25	1.0
Duty	Cont. / S1	
FL Temp Rise °C	82.0	-
Enclosure	TEFC	
Ambient Temp °C	40	
KVA Code	K	-
FL Amps. @ 208 V	-	-
Insulation Class	F	
NEMA Design	A	
Weight	600.862	
DE Bearing	6312C3	
NDE Bearing	6312C3	
dB No-Load	-	
Rotor Wk <sup>2</sup> , Lb-Ft <sup>2</sup>	-	
Start Capacitor	-	
Start Capacitor V	-	
Run Capacitor	-	
Run Capacitor V	-	
Number of Leads	6	
Connection	?	
Coil Resistance	-	

<b>Motor Model:</b>	<b>GR3-CI-TF-326T-4-BR-F-50</b>
---------------------	---------------------------------

Performance Load Values:

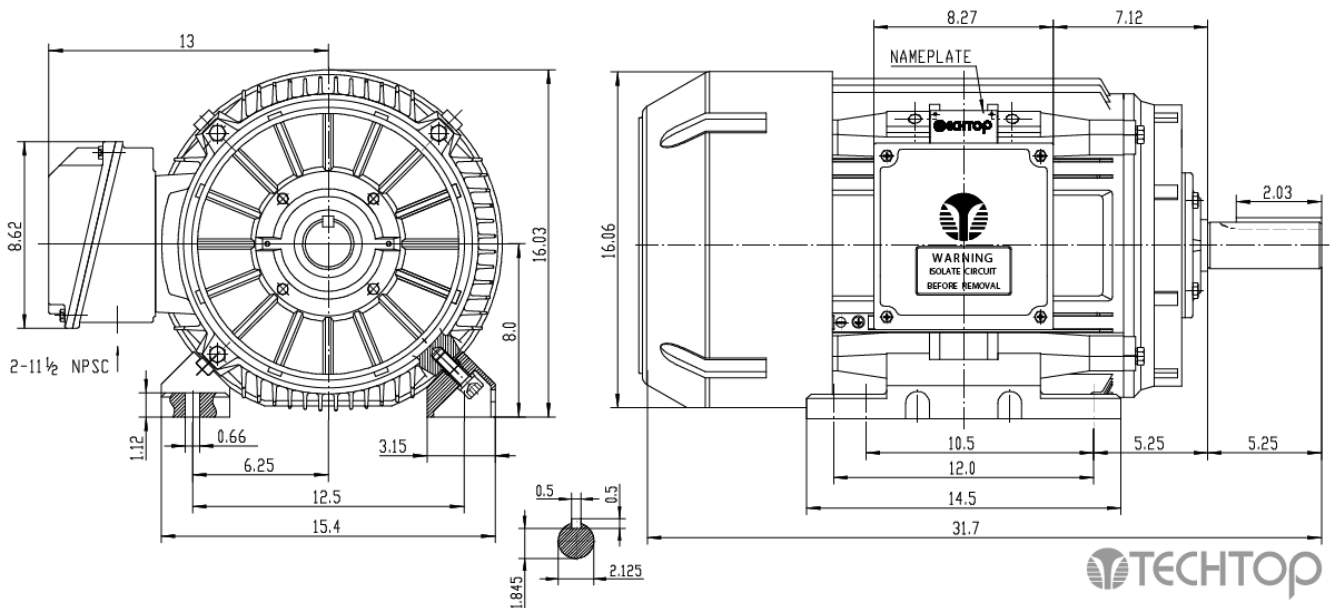
% Load	Horsepower	Current, Amps	Input power, Kilowatts	Speed, RPM	Efficiency	PF
0	25.0	26.53	-	-	-	-
25	25.0	30.25	11.84	1795.2	90.58	0.49
50	25.0	40.19	22.87	1790.5	93.78	0.71
75	37.5	52.63	34.12	1785.5	94.29	0.81
100	50.0	67.01	45.63	1780.2	94.03	0.85
125	25.0	82.79	57.41	1774.4	93.41	0.87
150	25.0	99.41	69.48	1768.2	92.62	0.88
SF	-	-	-	-	-	-

	Torque, Lb-Ft	% Full Load Torque	Speed, RPM	Current Amps.
Locked Rotor Torque	506.56	299.0	-	916.0
Pull Up Torque	333.754	197.0	-	-
Breakdown Torque	520.113	307.0	-	-
Full Load	169.418	100.0	1780.2	67.01

### Speed Torque Curve

Please contact Techtop for image.

### Dimensional Drawing



Dimensions are for reference only. Allowance should be made for minor deviations in non standard specified properties.

3D Image Link: Not available for this motor

