

## Techtop Industries Nameplate and Performance Data

| NAMEPLATE DATA                             |             |       |
|--|-------------|-------|
|  | 60 Hz       | 50 Hz |
| Horsepower                                 | 40.0        | 40.0  |
| Frame Size                                 | 324TS       |       |
| Speed, RPM                                 | 3560        | -     |
| Voltage                                    | 575         | -     |
| # Phase                                    | 3           |       |
| Full Load Amps                             | 36.02930345 | -     |
| Power Factor                               | 0.89        | -     |
| Nominal Efficiency                         | 92.4        | -     |
| 3/4 Load Efficiency                        | -           | -     |
| Service Factor                             | 1.25        | 1.0   |
| Duty                                       | Cont. / S1  |       |
| FL Temp Rise °C                            | 67.0        | -     |
| Enclosure                                  | TEFC        |       |
| Ambient Temp °C                            | 40          |       |
| KVA Code                                   | H           | -     |
| FL Amps. @ 208 V                           | -           | -     |
| Insulation Class                           | F           |       |
| NEMA Design                                | A           |       |
| Weight                                     | 485.1       |       |
| DE Bearing                                 | 6312C3      |       |
| NDE Bearing                                | 6312C3      |       |
| dB No-Load                                 | -           |       |
| Rotor Wk <sup>2</sup> , Lb-Ft <sup>2</sup> | -           |       |
| Start Capacitor                            | -           |       |
| Start Capacitor V                          | -           |       |
| Run Capacitor                              | -           |       |
| Run Capacitor V                            | -           |       |
| Number of Leads                            | 6           |       |
| Connection                                 | ?           |       |
| Coil Resistance                            | -           |       |

|                     |                                  |
|---------------------|----------------------------------|
| <b>Motor Model:</b> | <b>GR3-CI-TF-324TS-2-BR-F-40</b> |
|---------------------|----------------------------------|

Performance Load Values:

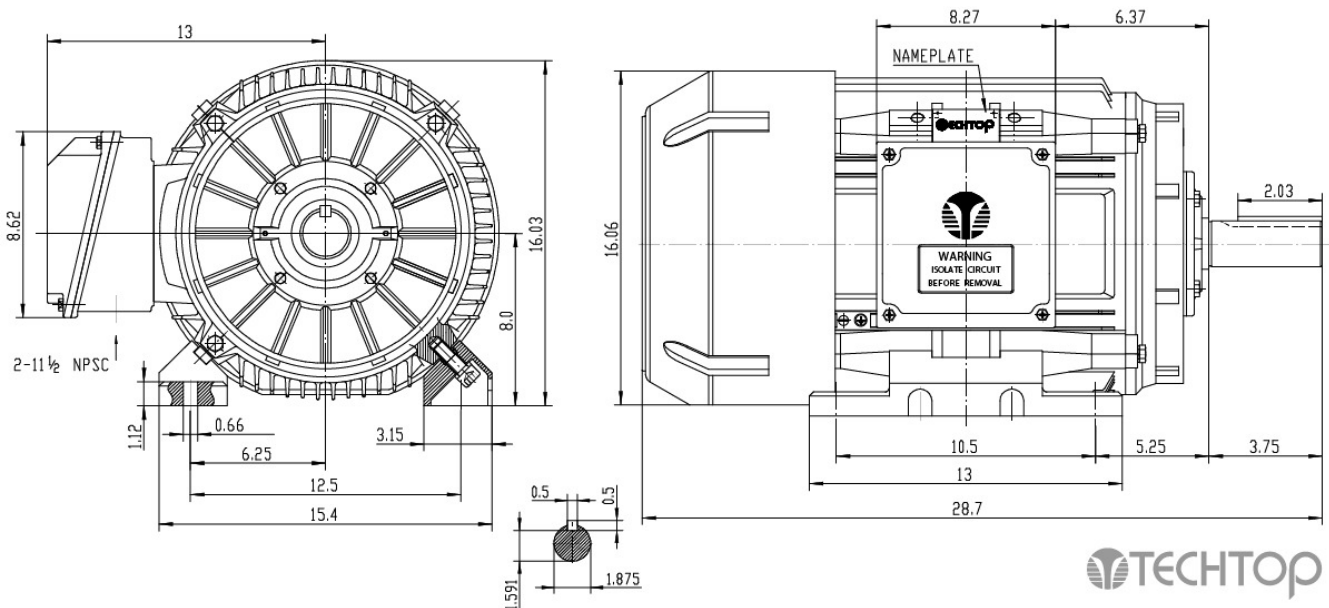
| % Load | Horsepower | Current, Amps | Input power, Kilowatts | Speed, RPM | Efficiency | PF   |
|--------|------------|---------------|------------------------|------------|------------|------|
| 0      | -          | 12.48         | -                      | -          | -          | -    |
| 25     | 10.0       | 16.87         | 8.88                   | 3588.8     | 84.46      | 0.66 |
| 50     | 20.0       | 25.43         | 16.6                   | 3578.7     | 90.37      | 0.82 |
| 75     | 30.0       | 35.03         | 24.46                  | 3567.6     | 91.99      | 0.88 |
| 100    | 40.0       | 45.56         | 32.49                  | 3555.4     | 92.34      | 0.9  |
| 125    | 50.0       | 56.88         | 40.71                  | 3542.2     | 92.13      | 0.9  |
| 150    | 60.0       | 68.89         | 49.13                  | 3527.8     | 91.59      | 0.9  |
| SF     | -          | -             | -                      | -          | -          | -    |

|                     | Torque, Lb-Ft | % Full Load Torque | Speed, RPM | Current Amps. |
|---------------------|---------------|--------------------|------------|---------------|
| Locked Rotor Torque | 140.239       | 235.0              | -          | 344.434       |
| Pull Up Torque      | 74.5952       | 125.0              | -          | -             |
| Breakdown Torque    | 140.836       | 236.0              | -          | -             |
| Full Load           | 59.6762       | 100.0              | 3555.4     | 45.56         |

### Speed Torque Curve

Please contact Techtop for image.

### Dimensional Drawing



Dimensions are for reference only. Allowance should be made for minor deviations in non standard specified properties.

3D Image Link: Not available for this motor