

Techtop Industries Nameplate and Performance Data

NAMEPLATE DATA		
	60 Hz	50 Hz
Horsepower	25.0	25.0
Frame Size	324TC	
Speed, RPM	1180	965
Voltage	230/460	190/380
# Phase	3	
Full Load Amps	61.39/30.69	74/37
Power Factor	0.81	-
Nominal Efficiency	93.0	90.0
3/4 Load Efficiency	-	-
Service Factor	1.25	1.0
Duty	Cont. / S1	
FL Temp Rise °C	52.0	-
Enclosure	TEFC	
Ambient Temp °C	40	
KVA Code	M	E
FL Amps. @ 208 V	67.8825	-
Insulation Class	F	
NEMA Design	A	
Weight	500.535	
DE Bearing	6312C3	
NDE Bearing	6312C3	
dB No-Load	-	
Rotor Wk ² , Lb-Ft ²	-	
Start Capacitor	-	
Start Capacitor V	-	
Run Capacitor	-	
Run Capacitor V	-	
Number of Leads	12	
Connection	??/?	
Coil Resistance	-	

Motor Model:	GR3-CI-TF-324TC-6-BR-D-25
---------------------	----------------------------------

Performance Load Values:

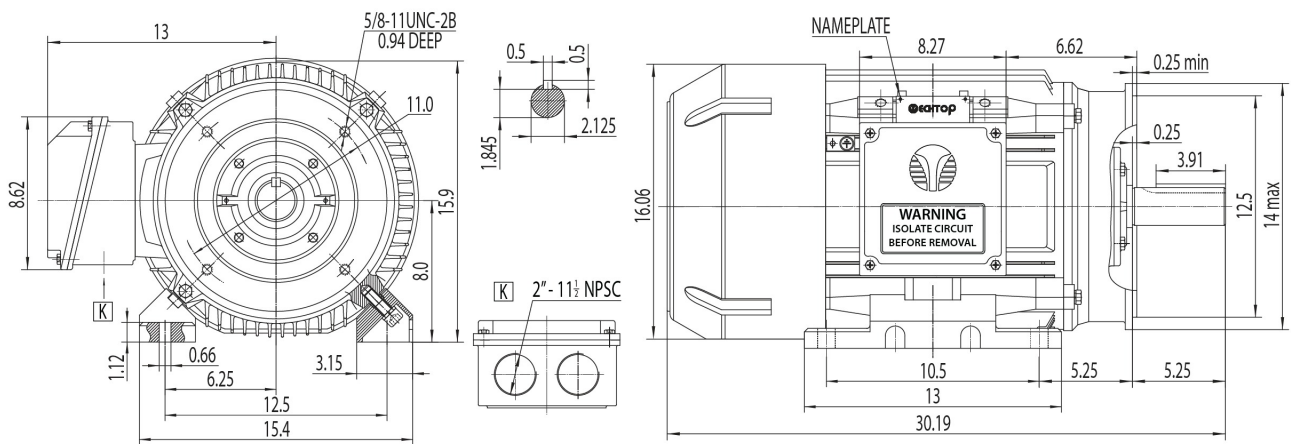
% Load	Horsepower	Current, Amps	Input power, Kilowatts	Speed, RPM	Efficiency	PF
0	-	14.61	-	-	-	-
25	6.25	16.05	5.35	1196.5	86.95	0.42
50	12.5	19.84	10.14	1193.1	91.71	0.64
75	18.75	24.87	15.04	1189.5	92.78	0.76
100	25.0	30.81	20.04	1185.7	92.81	0.82
125	31.25	34.69	23.1	1183.3	92.58	0.84
150	37.5	37.36	25.17	1181.7	92.37	0.85
SF	-	-	-	-	-	-

	Torque, Lb-Ft	% Full Load Torque	Speed, RPM	Current Amps.
Locked Rotor Torque	374.193	338.0	-	361.401
Pull Up Torque	218.095	197.0	-	-
Breakdown Torque	464.974	420.0	-	-
Full Load	110.708	100.0	1185.7	30.81

Speed Torque Curve

Please contact Techtop for image.

Dimensional Drawing



Dimensions are for reference only. Allowance should be made for minor deviations in non standard specified properties.

3D Image Link: Not available for this motor