

NAMEPLATE DATA		
	60 Hz	50 Hz
Horsepower	20.0	20.0
Frame Size	286TC	
Speed, RPM	1175	965
Voltage	230/460	190/380
# Phase	3	
Full Load Amps	51.05/25.53	62.8/31.4
Power Factor	0.8	-
Nominal Efficiency	91.7	89.1
3/4 Load Efficiency	-	-
Service Factor	1.25	1.0
Duty	Cont. / S1	
FL Temp Rise °C	60.0	-
Enclosure	TEFC	
Ambient Temp °C	40	
KVA Code	L	F
FL Amps. @ 208 V	56.4528	-
Insulation Class	F	
NEMA Design	A	
Weight	403.515	
DE Bearing	6311C3	
NDE Bearing	6311C3	
dB No-Load	-	
Rotor Wk <sup>2</sup> , Lb-Ft <sup>2</sup>	-	
Start Capacitor	-	
Start Capacitor V	-	
Run Capacitor	-	
Run Capacitor V	-	
Number of Leads	12	
Connection	??/?	
Coil Resistance	-	

<b>Motor Model:</b>	<b>GR3-CI-TF-286TC-6-BR-D-20</b>
---------------------	----------------------------------

Performance Load Values:

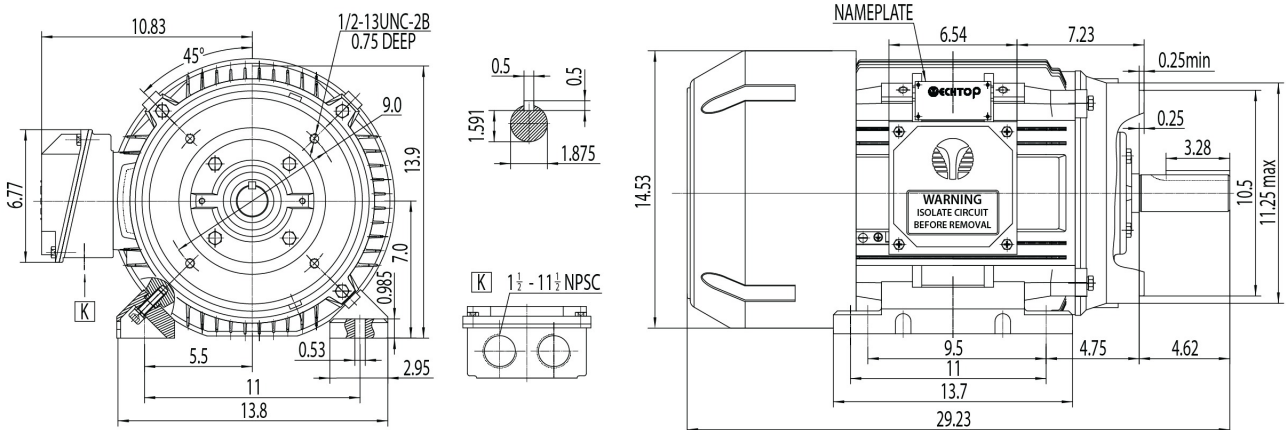
% Load	Horsepower	Current, Amps	Input power, Kilowatts	Speed, RPM	Efficiency	PF
0	-	11.93	-	-	-	-
25	5.0	13.18	4.35	1195.8	86.25	0.41
50	10.0	16.17	8.23	1191.8	91.19	0.64
75	15.0	20.24	12.2	1187.5	92.24	0.76
100	20.0	25.14	16.28	1182.8	92.16	0.81
125	25.0	30.62	20.48	1177.8	91.56	0.84
150	30.0	36.46	24.81	1172.4	90.7	0.85
SF	-	-	-	-	-	-

	Torque, Lb-Ft	% Full Load Torque	Speed, RPM	Current Amps.
Locked Rotor Torque	224.057	249.0	-	236.819
Pull Up Torque	120.577	134.0	-	-
Breakdown Torque	296.043	329.0	-	-
Full Load	89.9826	100.0	1182.8	25.14

### Speed Torque Curve

Please contact Techtop for image.

### Dimensional Drawing



Dimensions are for reference only. Allowance should be made for minor deviations in non standard specified properties.

3D Image Link: Not available for this motor