

NAMEPLATE DATA		
	60 Hz	50 Hz
Horsepower	30.0	30.0
Frame Size	286TC	
Speed, RPM	1770	1460
Voltage	230/460	190/380
# Phase	3	
Full Load Amps	68.99/34.49	84/42
Power Factor	0.85	-
Nominal Efficiency	93.6	90.5
3/4 Load Efficiency	-	-
Service Factor	1.25	1.0
Duty	Cont. / S1	
FL Temp Rise °C	60.0	-
Enclosure	TEFC	
Ambient Temp °C	40	
KVA Code	K	F
FL Amps. @ 208 V	76.2853	-
Insulation Class	F	
NEMA Design	A	
Weight	396.9	
DE Bearing	6311C3	
NDE Bearing	6311C3	
dB No-Load	-	
Rotor Wk ² , Lb-Ft ²	-	
Start Capacitor	-	
Start Capacitor V	-	
Run Capacitor	-	
Run Capacitor V	-	
Number of Leads	12	
Connection	??/?	
Coil Resistance	-	

Motor Model:	GR3-CI-TF-286TC-4-BR-D-30
---------------------	----------------------------------

Performance Load Values:

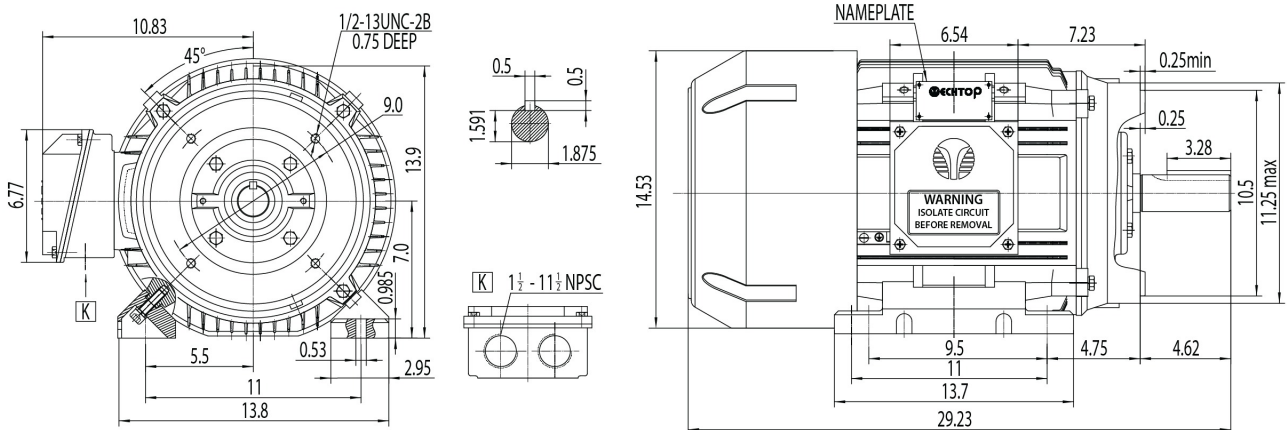
% Load	Horsepower	Current, Amps	Input power, Kilowatts	Speed, RPM	Efficiency	PF
0	-	14.41	-	-	-	-
25	7.5	16.23	6.29	1794.1	88.63	0.49
50	15.0	21.24	12.02	1788.4	92.75	0.71
75	22.5	27.51	17.86	1782.2	93.63	0.82
100	30.0	34.74	23.83	1775.7	93.58	0.86
125	37.5	42.61	29.93	1768.8	93.13	0.88
150	45.0	50.82	36.18	1761.6	92.46	0.89
SF	-	-	-	-	-	-

	Torque, Lb-Ft	% Full Load Torque	Speed, RPM	Current Amps.
Locked Rotor Torque	265.96	299.0	-	329.683
Pull Up Torque	190.353	214.0	-	-
Breakdown Torque	323.778	364.0	-	-
Full Load	88.95	100.0	1775.7	34.74

Speed Torque Curve

Please contact Techtop for image.

Dimensional Drawing



Dimensions are for reference only. Allowance should be made for minor deviations in non standard specified properties.

3D Image Link: Not available for this motor