

## Techtop Industries Nameplate and Performance Data

NAMEPLATE DATA		
	60 Hz.	50 Hz.
Horsepower	10.0	10.0
Frame Size	256T	
Speed, RPM	1170	-
Voltage	3 Phase US (575V)	-
# Phase	3	
Full Load Amps	10.69001311	-
Power Factor	0.76	-
Nominal Efficiency	91.0	-
3/4 Load Efficiency	-	-
Service Factor	1.25	1.0
Duty	Cont. / S1	
FL Temp Rise °C	45.0	-
Enclosure	TEFC	
Ambient Temp °C	40	
KVA Code	J	-
FL Amps. @ 208 V	-	-
Insulation Class	F	
NEMA Design	A	
Weight	277.83	
DE Bearing	6309C3	
NDE Bearing	6309C3	
dB No-Load	-	
Rotor Wk <sup>2</sup> , Lb-Ft <sup>2</sup>	-	
Start Capacitor		
Start Capacitor V		
Run Capacitor		
Run Capacitor V		
Number of Leads	6	
Connection	?	
Coil Resistance	-	

Motor Model:	GR3-CI-TF-256T-6-BR-F-10
--------------	--------------------------

Performance Load Values:

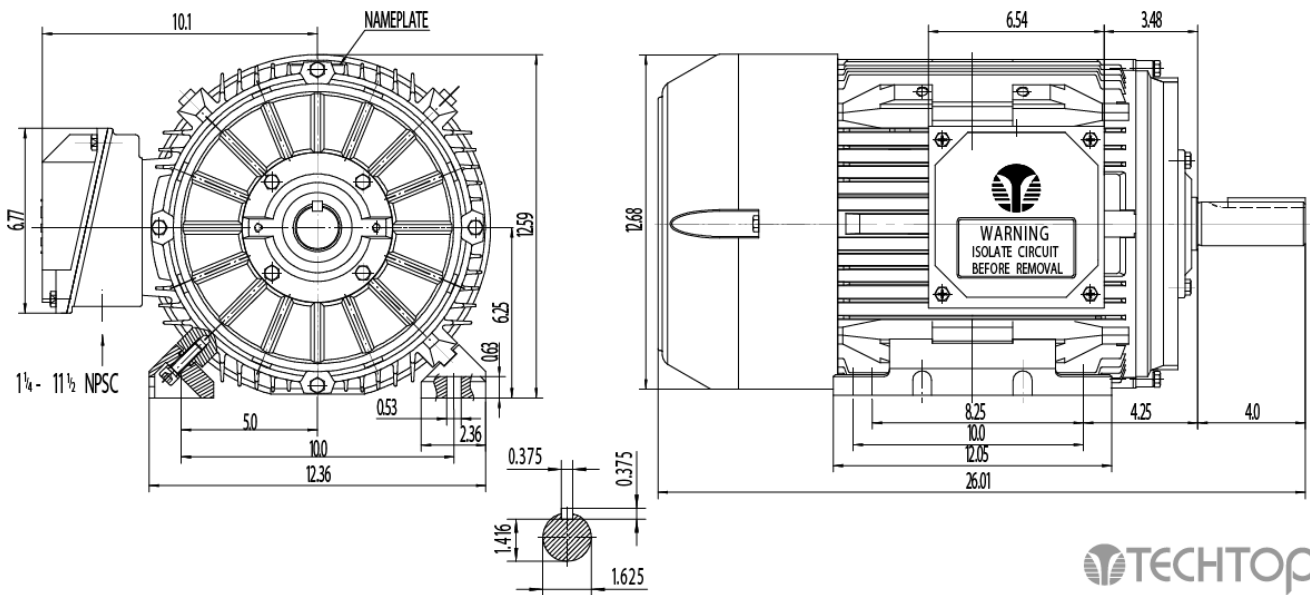
% Load	Horsepower	Current, Amps	Input power, Kilowatts	Speed, RPM	Efficiency	PF
0	5.0	7.69	-	-	-	-
25	5.0	8.18	2.21	1195.4	84.71	0.34
50	5.0	9.57	4.17	1191.0	89.88	0.55
75	7.5	11.55	6.19	1186.1	90.84	0.67
100	10.0	14.01	8.28	1180.8	90.57	0.74
125	5.0	16.84	10.45	1175.1	89.75	0.78
150	5.0	19.94	12.7	1168.9	88.62	0.8
SF	-	-	-	-	-	-

	Torque, Lb-Ft	% Full Load Torque	Speed, RPM	Current Amps.
Locked Rotor Torque	124.258	277.0	-	864.0
Pull Up Torque	51.1387	114.0	-	-
Breakdown Torque	145.342	324.0	-	-
Full Load	44.8585	100.0	1180.8	14.01

### Speed Torque Curve

Please contact Techtop for image.

### Dimensional Drawing



Dimensions are for reference only. Allowance should be made for minor deviations in non standard specified properties.

3D Image Link: Not available for this motor

