

NAMEPLATE DATA		
	60 Hz.	50 Hz.
Horsepower	20.0	20.0
Frame Size	256T	
Speed, RPM	1760	-
Voltage	3 Phase US (575V)	-
# Phase	3	
Full Load Amps	18.30521063	-
Power Factor	0.83	-
Nominal Efficiency	93.0	-
3/4 Load Efficiency	-	-
Service Factor	1.25	1.0
Duty	Cont. / S1	
FL Temp Rise °C	51.0	-
Enclosure	TEFC	
Ambient Temp °C	40	
KVA Code	K	-
FL Amps. @ 208 V	-	-
Insulation Class	F	
NEMA Design	A	
Weight	330.75	
DE Bearing	6309C3	
NDE Bearing	6309C3	
dB No-Load	-	
Rotor Wk <sup>2</sup> , Lb-Ft <sup>2</sup>	-	
Start Capacitor	-	
Start Capacitor V	-	
Run Capacitor	-	
Run Capacitor V	-	
Number of Leads	6	
Connection	?	
Coil Resistance	-	

<b>Motor Model:</b>	<b>GR3-CI-TF-256T-4-BR-F-20</b>
---------------------	---------------------------------

Performance Load Values:

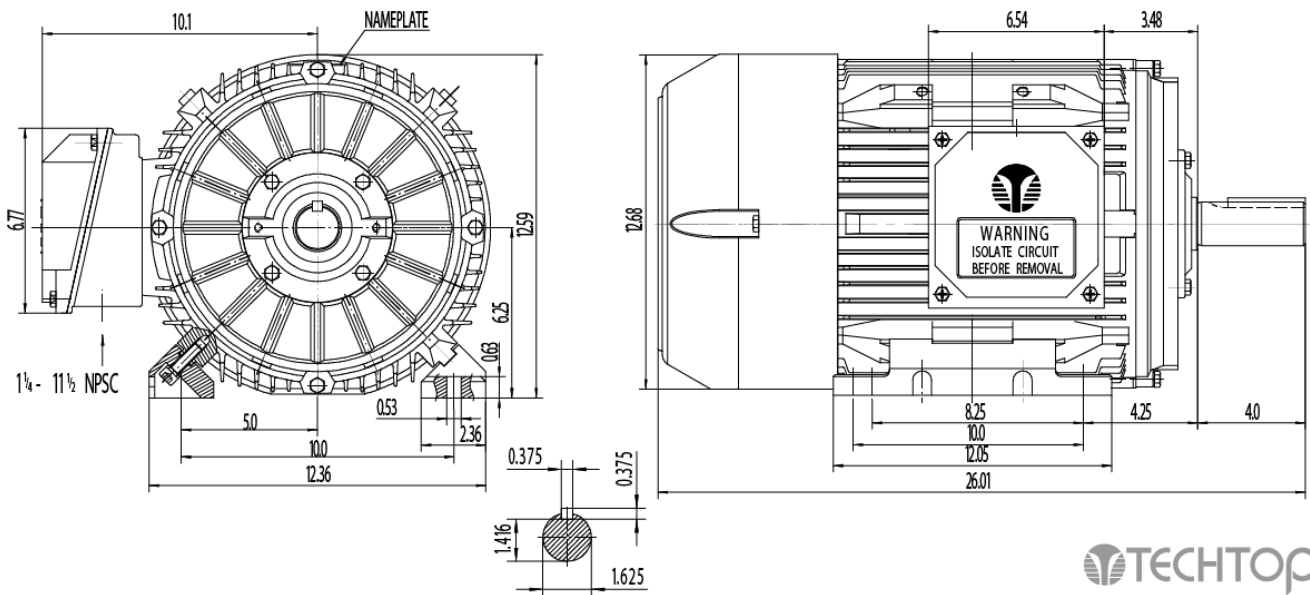
% Load	Horsepower	Current, Amps	Input power, Kilowatts	Speed, RPM	Efficiency	PF
0	10.0	8.72	-	-	-	-
25	10.0	10.25	4.28	1793.3	87.68	0.52
50	10.0	13.84	8.16	1786.6	91.95	0.74
75	15.0	18.28	12.13	1779.4	92.77	0.83
100	20.0	23.35	16.2	1771.7	92.58	0.87
125	10.0	28.86	20.39	1763.5	91.95	0.89
150	10.0	34.6	24.7	1754.9	91.1	0.9
SF	-	-	-	-	-	-

	Torque, Lb-Ft	% Full Load Torque	Speed, RPM	Current Amps.
Locked Rotor Torque	166.907	280.0	-	905.0
Pull Up Torque	122.796	206.0	-	-
Breakdown Torque	209.826	352.0	-	-
Full Load	59.6098	100.0	1771.7	23.35

#### Speed Torque Curve

Please contact Techtop for image.

#### Dimensional Drawing



Dimensions are for reference only. Allowance should be made for minor deviations in non standard specified properties.

3D Image Link: Not available for this motor

