

NAMEPLATE DATA		
	60 Hz.	50 Hz.
Horsepower	20.0	20.0
Frame Size	256T	
Speed, RPM	3530	-
Voltage	3 Phase US (575V)	-
# Phase	3	
Full Load Amps	18.09079142	-
Power Factor	0.89	-
Nominal Efficiency	91.0	-
3/4 Load Efficiency	-	-
Service Factor	1.25	1.0
Duty	Cont. / S1	
FL Temp Rise °C	58.0	-
Enclosure	TEFC	
Ambient Temp °C	40	
KVA Code	K	-
FL Amps. @ 208 V	-	-
Insulation Class	F	
NEMA Design	A	
Weight	275.625	
DE Bearing	6309C3	
NDE Bearing	6309C3	
dB No-Load	-	
Rotor Wk ² , Lb-Ft ²	-	
Start Capacitor	-	
Start Capacitor V	-	
Run Capacitor	-	
Run Capacitor V	-	
Number of Leads	6	
Connection	?	
Coil Resistance	-	

Motor Model:	GR3-CI-TF-256T-2-BR-F-20
---------------------	---------------------------------

Performance Load Values:

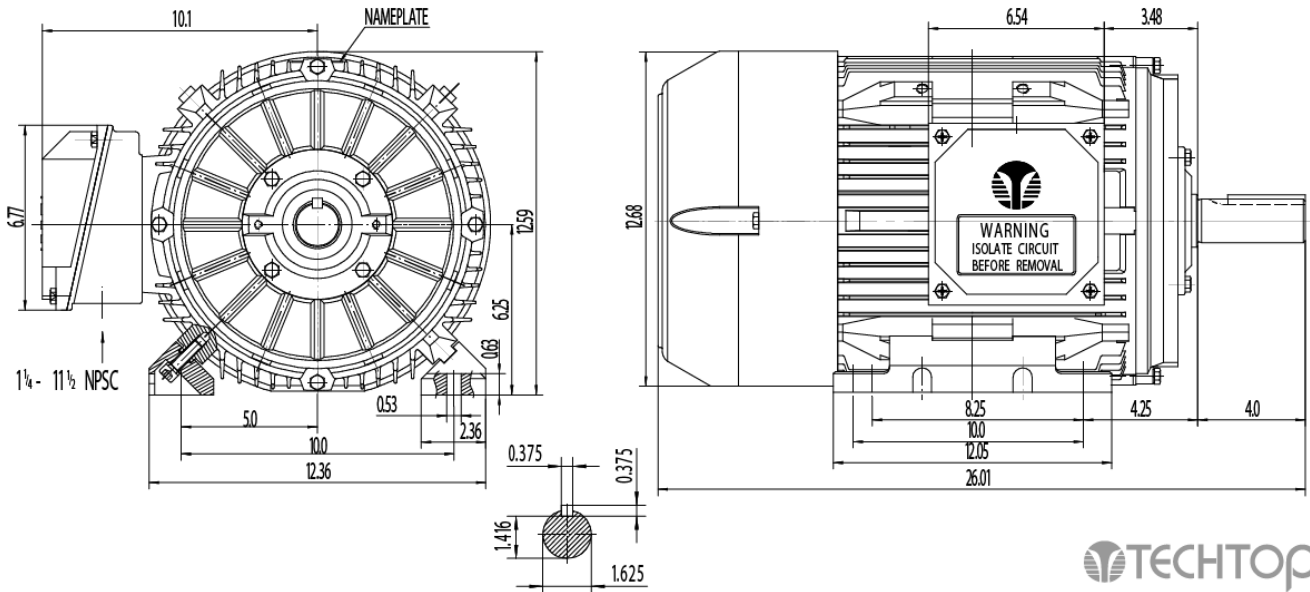
% Load	Horsepower	Current, Amps	Input power, Kilowatts	Speed, RPM	Efficiency	PF
0	10.0	10.57	-	-	-	-
25	10.0	11.94	4.64	3592.4	80.73	0.49
50	10.0	15.25	8.5	3585.0	88.28	0.7
75	15.0	19.36	12.42	3577.3	90.59	0.8
100	20.0	24.09	16.42	3569.1	91.36	0.86
125	10.0	29.22	20.5	3560.6	91.45	0.88
150	10.0	34.57	24.67	3551.8	91.19	0.9
SF	-	-	-	-	-	-

	Torque, Lb-Ft	% Full Load Torque	Speed, RPM	Current Amps.
Locked Rotor Torque	105.645	358.0	-	1198.0
Pull Up Torque	61.6756	209.0	-	-
Breakdown Torque	130.138	441.0	-	-
Full Load	29.5099	100.0	3569.1	24.08

Speed Torque Curve

Please contact Techtop for image.

Dimensional Drawing



Dimensions are for reference only. Allowance should be made for minor deviations in non standard specified properties.

3D Image Link: Not available for this motor

