

NAMEPLATE DATA		
	60 Hz.	50 Hz.
Horsepower	15.0	15.0
Frame Size	254TC	
Speed, RPM	1760	1450
Voltage	3 Phase US	190/380
# Phase	3	
Full Load Amps	36.19/18.1	45.2/22.6
Power Factor	0.81	-
Nominal Efficiency	92.4	88.0
3/4 Load Efficiency	-	-
Service Factor	1.25	1.0
Duty	Cont. / S1	
FL Temp Rise °C	40.0	-
Enclosure	TEFC	
Ambient Temp °C	40	
KVA Code	K	F
FL Amps. @ 208 V	40.018	-
Insulation Class	F	
NEMA Design	A	
Weight	278.932	
DE Bearing	6309C3	
NDE Bearing	6309C3	
dB No-Load	-	
Rotor Wk ² , Lb-Ft ²	-	
Start Capacitor		
Start Capacitor V	-	
Run Capacitor		
Run Capacitor V	-	
Number of Leads	12	
Connection	??/?	
Coil Resistance	1.3	

Motor Model:	GR3-CI-TF-254TC-4-BR-D-15
---------------------	----------------------------------

Performance Load Values:

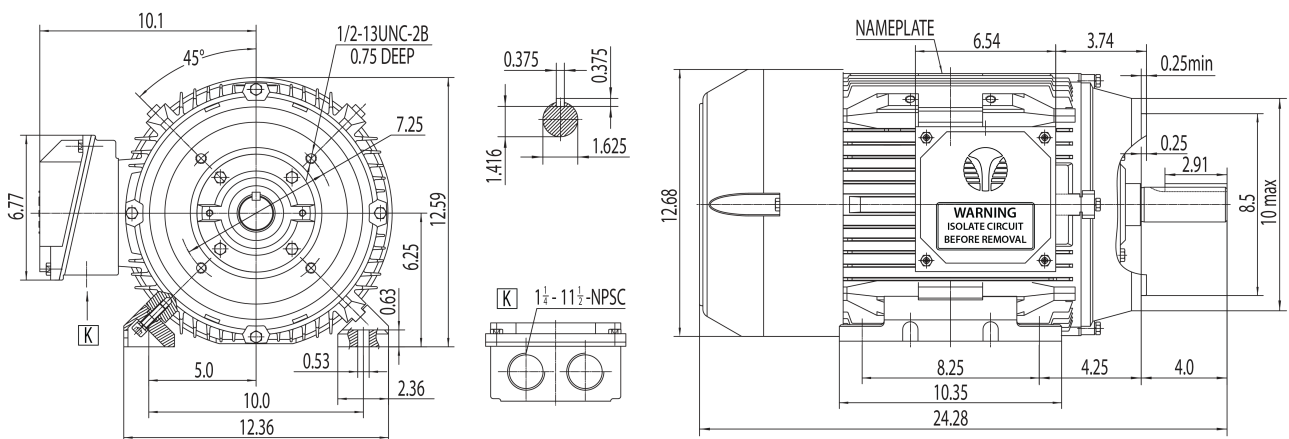
% Load	Horsepower	Current, Amps	Input power, Kilowatts	Speed, RPM	Efficiency	PF
0	7.5	8.37	-	-	-	-
25	7.5	9.23	3.28	1794.2	86.19	0.45
50	7.5	11.62	6.19	1788.5	91.29	0.67
75	11.25	14.7	9.16	1782.5	92.52	0.78
100	15.0	18.3	12.2	1776.1	92.63	0.84
125	7.5	22.25	15.31	1769.4	92.25	0.86
150	7.5	26.41	18.5	1762.3	91.63	0.88
SF	-	-	-	-	-	-

	Torque, Lb-Ft	% Full Load Torque	Speed, RPM	Current Amps.
Locked Rotor Torque	130.197	290.0	-	928.0
Pull Up Torque	109.994	245.0	-	-
Breakdown Torque	173.745	387.0	-	-
Full Load	44.8954	100.0	1776.1	18.3

Speed Torque Curve

Please contact Techtop for image.

Dimensional Drawing



Dimensions are for reference only. Allowance should be made for minor deviations in non standard specified properties.

3D Image Link: Not available for this motor