

## Techtop Industries Nameplate and Performance Data

NAMEPLATE DATA		
	60 Hz.	50 Hz.
Horsepower	15.0	15.0
Frame Size	254T	
Speed, RPM	1760	1450
Voltage	3 Phase US	190/380
# Phase	3	
Full Load Amps	36.19/18.1	45.2/22.6
Power Factor	0.81	-
Nominal Efficiency	92.4	88.0
3/4 Load Efficiency	-	-
Service Factor	1.25	1.0
Duty	Cont. / S1	
FL Temp Rise °C	40.0	-
Enclosure	TEFC	
Ambient Temp °C	40	
KVA Code	K	F
FL Amps. @ 208 V	40.018	-
Insulation Class	F	
NEMA Design	A	
Weight	278.932	
DE Bearing	6309C3	
NDE Bearing	6309C3	
dB No-Load	-	
Rotor Wk <sup>2</sup> , Lb-Ft <sup>2</sup>	-	
Start Capacitor		
Start Capacitor V	-	
Run Capacitor		
Run Capacitor V	-	
Number of Leads	12	
Connection	??/?	
Coil Resistance	1.3	

Motor Model:	GR3-CI-TF-254T-4-BR-D-15
--------------	--------------------------

Performance Load Values:

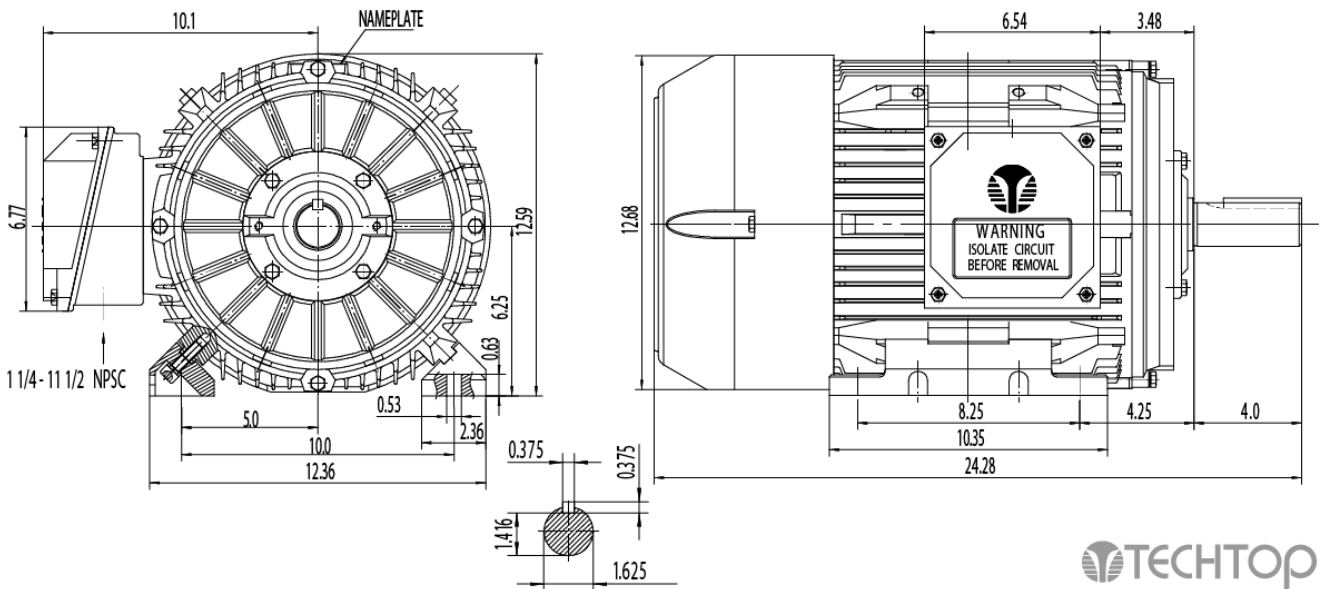
% Load	Horsepower	Current, Amps	Input power, Kilowatts	Speed, RPM	Efficiency	PF
0	7.5	8.37	-	-	-	-
25	7.5	9.23	3.28	1794.2	86.19	0.45
50	7.5	11.62	6.19	1788.5	91.29	0.67
75	11.25	14.7	9.16	1782.5	92.52	0.78
100	15.0	18.3	12.2	1776.1	92.63	0.84
125	7.5	22.25	15.31	1769.4	92.25	0.86
150	7.5	26.41	18.5	1762.3	91.63	0.88
SF	-	-	-	-	-	-

	Torque, Lb-Ft	% Full Load Torque	Speed, RPM	Current Amps.
Locked Rotor Torque	130.197	290.0	-	928.0
Pull Up Torque	109.994	245.0	-	-
Breakdown Torque	173.745	387.0	-	-
Full Load	44.8954	100.0	1776.1	18.3

### Speed Torque Curve

Please contact Techtop for image.

### Dimensional Drawing



Dimensions are for reference only. Allowance should be made for minor deviations in non standard specified properties.

3D Image Link: Not available for this motor