

NAMEPLATE DATA		
	60 Hz.	50 Hz.
Horsepower	7.5	7.5
Frame Size	213T	
Speed, RPM	1750	-
Voltage	3 Phase US (575V)	-
# Phase	3	
Full Load Amps	7.293281847	-
Power Factor	0.82	-
Nominal Efficiency	91.7	-
3/4 Load Efficiency	-	-
Service Factor	1.25	1.0
Duty	Cont. / S1	
FL Temp Rise °C	-	-
Enclosure	TEFC	
Ambient Temp °C	40	
KVA Code	L	-
FL Amps. @ 208 V	-	-
Insulation Class	F	
NEMA Design	A	
Weight	158.76	
DE Bearing	6308ZZ	
NDE Bearing	6308ZZ	
dB No-Load	-	
Rotor Wk ² , Lb-Ft ²	-	
Start Capacitor	-	
Start Capacitor V	-	
Run Capacitor	-	
Run Capacitor V	-	
Number of Leads	3	
Connection	Y	
Coil Resistance	-	

Motor Model:	GR3-CI-TF-213T-4-B-F-7.5
---------------------	---------------------------------

Performance Load Values:

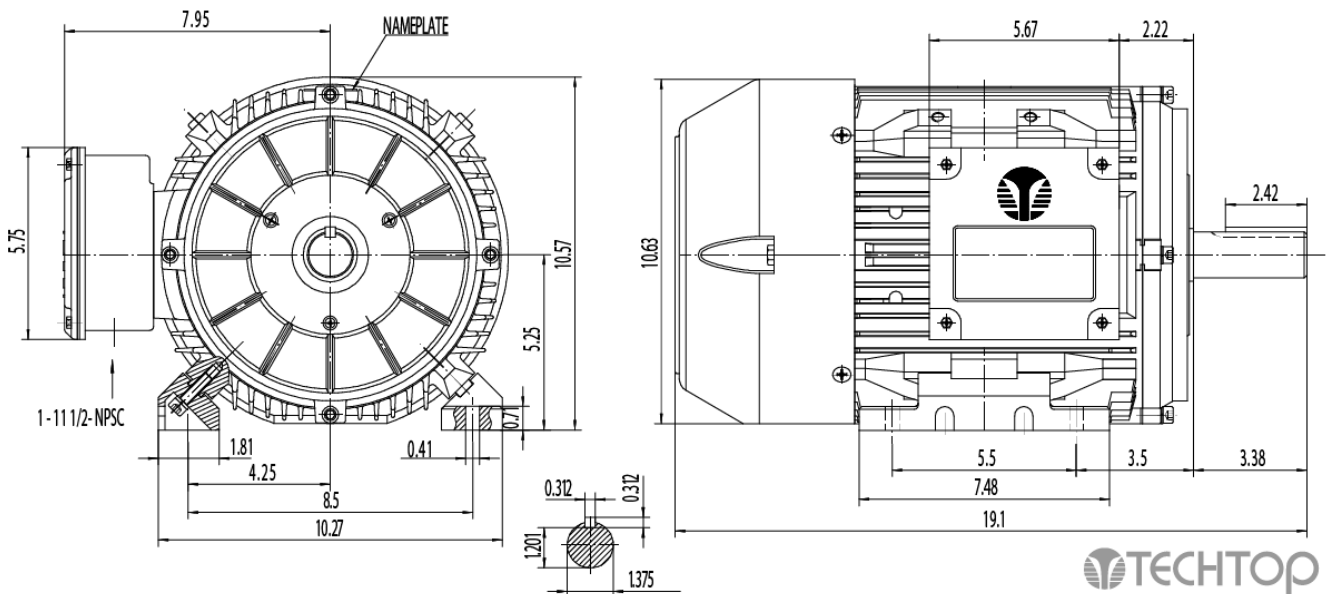
% Load	Horsepower	Current, Amps	Input power, Kilowatts	Speed, RPM	Efficiency	PF
0	3.75	-	-	-	-	-
25	3.75	-	-	-	-	-
50	3.75	-	-	-	-	-
75	5.625	-	-	-	-	-
100	7.5	-	-	-	-	-
125	3.75	-	-	-	-	-
150	3.75	-	-	-	-	-
SF	-	-	-	-	-	-

	Torque, Lb-Ft	% Full Load Torque	Speed, RPM	Current Amps.
Locked Rotor Torque	-	-	-	-
Pull Up Torque	-	-	-	-
Breakdown Torque	-	-	-	-
Full Load	-	-	-	-

Speed Torque Curve

Please contact Techttop for image.

Dimensional Drawing



Dimensions are for reference only. Allowance should be made for minor deviations in non standard specified properties.

3D Image Link: <https://onedrive.live.com/redir?resid=D9AD913FBF3860CC2009&authkey=IADLwa4Im-NXPXsq&ithint=file%2cSTEP>

