

Techtop Industries Nameplate and Performance Data

NAMEPLATE DATA		
	60 Hz.	50 Hz.
Horsepower	5.0	5.0
Frame Size	184T	
Speed, RPM	3510	2900
Voltage	3 Phase US	190/380
# Phase	3	
Full Load Amps	11.76/5.88	14.8/7.4
Power Factor	0.87	-
Nominal Efficiency	88.5	84.0
3/4 Load Efficiency	-	-
Service Factor	1.25	1.0
Duty	Cont. / S1	
FL Temp Rise °C	-	-
Enclosure	TEFC	
Ambient Temp °C	40	
KVA Code	L	H
FL Amps. @ 208 V	12.9987	-
Insulation Class	F	
NEMA Design	A	
Weight	97.02	
DE Bearing	6306C3ZZ	
NDE Bearing	6306C3ZZ	
dB No-Load	-	
Rotor Wk ² , Lb-Ft ²	-	
Start Capacitor		
Start Capacitor V	-	
Run Capacitor		
Run Capacitor V	-	
Number of Leads	9	
Connection	YY/Y	
Coil Resistance	2.45	

Motor Model:	GR3-CI-TF-184T-2-B-D-5
---------------------	-------------------------------

Performance Load Values:

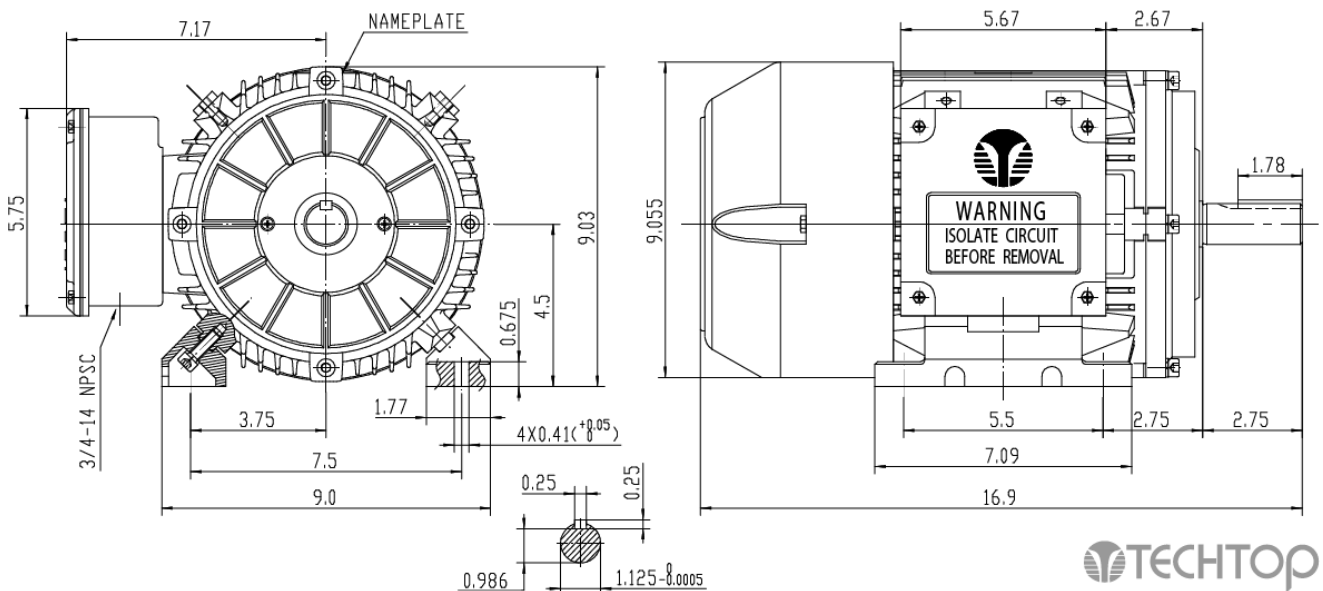
% Load	Horsepower	Current, Amps	Input power, Kilowatts	Speed, RPM	Efficiency	PF
0	2.5	-	-	-	-	-
25	2.5	-	-	-	-	-
50	2.5	-	-	-	-	-
75	3.75	-	-	-	-	-
100	5.0	-	-	-	-	-
125	2.5	-	-	-	-	-
150	2.5	-	-	-	-	-
SF	-	-	-	-	-	-

	Torque, Lb-Ft	% Full Load Torque	Speed, RPM	Current Amps.
Locked Rotor Torque	-	-	-	-
Pull Up Torque	-	-	-	-
Breakdown Torque	-	-	-	-
Full Load	-	-	-	-

Speed Torque Curve

Please contact Techtop for image.

Dimensional Drawing



Dimensions are for reference only. Allowance should be made for minor deviations in non standard specified properties.

3D Image Link: Not available for this motor