

Techtop Industries Nameplate and Performance Data

NAMEPLATE DATA		
	60 Hz	50 Hz
Horsepower	1.0	1.0
Frame Size	145TC	
Speed, RPM	1150	940
Voltage	230/460	190/380
# Phase	3	
Full Load Amps	3.39/1.69	4.2/2.1
Power Factor	0.64	-
Nominal Efficiency	82.5	77.0
3/4 Load Efficiency	-	-
Service Factor	1.25	1.0
Duty	Cont. / S1	
FL Temp Rise °C	-	-
Enclosure	TEFC	
Ambient Temp °C	40	
KVA Code	H	J
FL Amps. @ 208 V	3.74616	-
Insulation Class	F	
NEMA Design	A	
Weight	52.92	
DE Bearing	6205ZZ	
NDE Bearing	6205ZZ	
dB No-Load	-	
Rotor Wk ² , Lb-Ft ²	-	
Start Capacitor	-	
Start Capacitor V	-	
Run Capacitor	-	
Run Capacitor V	-	
Number of Leads	9	
Connection	YY/Y	
Coil Resistance	-	

Motor Model:	GR3-CI-TF-145TC-6-B-D-1
---------------------	--------------------------------

Performance Load Values:

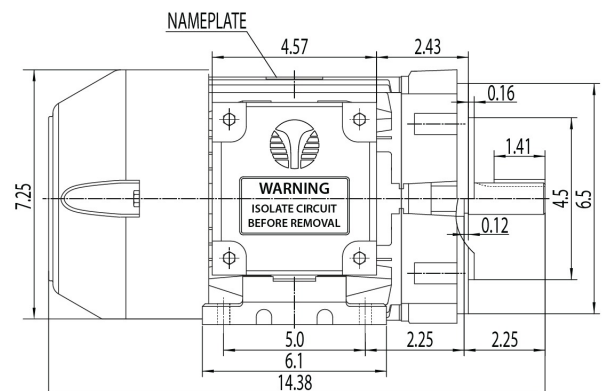
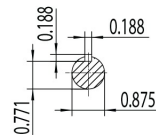
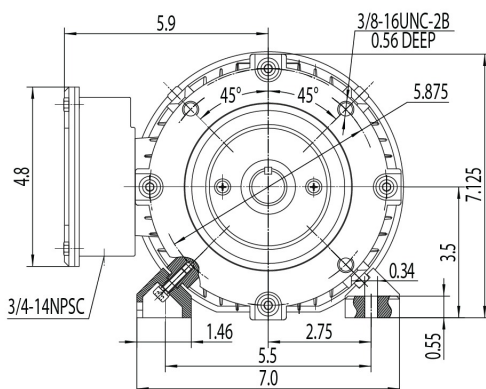
% Load	Horsepower	Current, Amps	Input power, Kilowatts	Speed, RPM	Efficiency	PF
0	-	-	-	-	-	-
25	0.25	-	-	-	-	-
50	0.5	-	-	-	-	-
75	0.75	-	-	-	-	-
100	1.0	-	-	-	-	-
125	1.25	-	-	-	-	-
150	1.5	-	-	-	-	-
SF	-	-	-	-	-	-

	Torque, Lb-Ft	% Full Load Torque	Speed, RPM	Current Amps.
Locked Rotor Torque	-	-	-	-
Pull Up Torque	-	-	-	-
Breakdown Torque	-	-	-	-
Full Load	-	-	-	-

Speed Torque Curve

Please contact Techtop for image.

Dimensional Drawing



Dimensions are for reference only. Allowance should be made for minor deviations in non standard specified properties.

3D Image Link: Not available for this motor