

## Techtop Industries Nameplate and Performance Data

NAMEPLATE DATA		
	60 Hz.	50 Hz.
Horsepower	2.0	2.0
Frame Size	145TC	
Speed, RPM	1730	1425
Voltage	3 Phase US	190/380
# Phase	3	
Full Load Amps	5.55/2.78	7.4/3.7
Power Factor	0.75	-
Nominal Efficiency	86.5	82.0
3/4 Load Efficiency	-	-
Service Factor	1.25	1.0
Duty	Cont. / S1	
FL Temp Rise °C	-	-
Enclosure	TEFC	
Ambient Temp °C	40	
KVA Code	K	J
FL Amps. @ 208 V	6.1381	-
Insulation Class	F	
NEMA Design	A	
Weight	59.535	
DE Bearing	6205ZZ	
NDE Bearing	6205ZZ	
dB No-Load	-	
Rotor Wk <sup>2</sup> , Lb-Ft <sup>2</sup>	-	
Start Capacitor		
Start Capacitor V	-	
Run Capacitor		
Run Capacitor V	-	
Number of Leads	9	
Connection	YY/Y	
Coil Resistance	6.4	

<b>Motor Model:</b>	<b>GR3-CI-TF-145TC-4-B-D-2</b>
---------------------	--------------------------------

Performance Load Values:

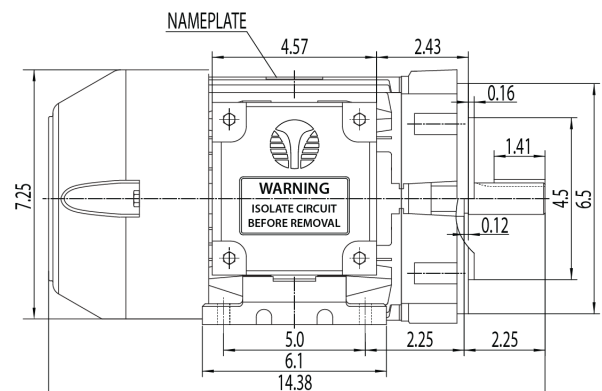
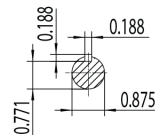
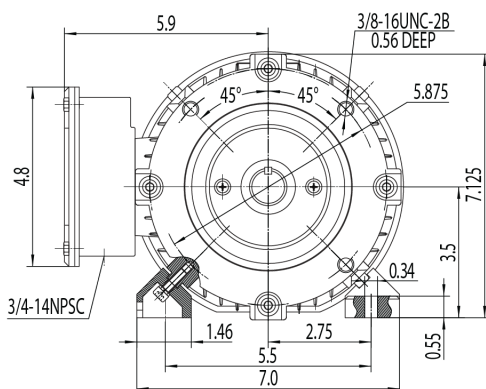
% Load	Horsepower	Current, Amps	Input power, Kilowatts	Speed, RPM	Efficiency	PF
0	1.0	-	-	-	-	-
25	1.0	-	-	-	-	-
50	1.0	-	-	-	-	-
75	1.5	-	-	-	-	-
100	2.0	-	-	-	-	-
125	1.0	-	-	-	-	-
150	1.0	-	-	-	-	-
SF	-	-	-	-	-	-

	Torque, Lb-Ft	% Full Load Torque	Speed, RPM	Current Amps.
Locked Rotor Torque	-	-	-	-
Pull Up Torque	-	-	-	-
Breakdown Torque	-	-	-	-
Full Load	-	-	-	-

### Speed Torque Curve

Please contact Techtop for image.

### Dimensional Drawing



Dimensions are for reference only. Allowance should be made for minor deviations in non standard specified properties.

3D Image Link: Not available for this motor