

NAMEPLATE DATA		
	60 Hz.	50 Hz.
Horsepower	75.0	-
Frame Size	365T	
Speed, RPM	1775	1465
Voltage	3 Phase US	190/380
# Phase	3	
Full Load Amps	170.8/85.4	-
Power Factor	0.87	-
Nominal Efficiency	95.0	-
3/4 Load Efficiency	-	-
Service Factor	1.15	1.0
Duty	Cont. / S1	
FL Temp Rise °C	70.0	-
Enclosure	ODP	
Ambient Temp °C	-	
KVA Code	F	F
FL Amps. @ 208 V	188.9	-
Insulation Class	F	
NEMA Design	-	
Weight	959.84	
DE Bearing	6313C3	
NDE Bearing	6312C3	
dB No-Load	-	
Rotor Wk ² , Lb-Ft ²	-	
Start Capacitor		
Start Capacitor V		
Run Capacitor		
Run Capacitor V		
Number of Leads	12	
Connection	4?/2?	
Coil Resistance	-	

Motor Model:	GR3-CI-OP-365T-4-BR-D-75
---------------------	---------------------------------

Performance Load Values:

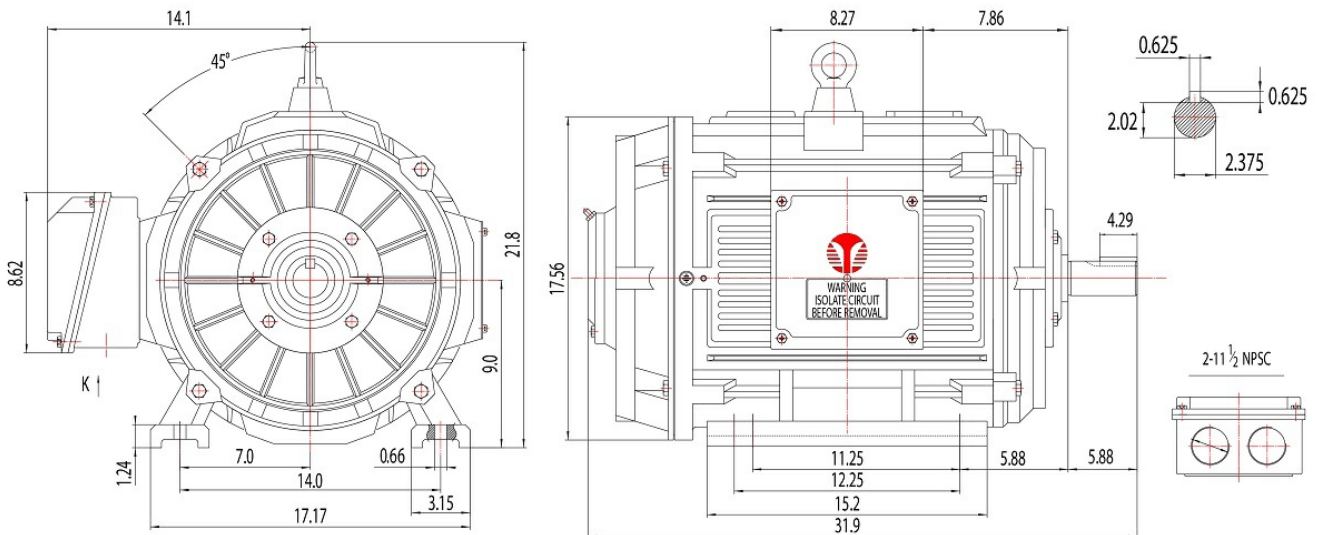
% Load	Horsepower	Current, Amps	Input power, Kilowatts	Speed, RPM	Efficiency	PF
0	-	-	-	-	-	-
25	-	-	-	-	-	-
50	-	-	-	-	94.75	0.8225
75	-	-	-	-	94.8	0.879
100	-	-	-	-	95.0	0.87
125	-	-	-	-	-	-
150	-	-	-	-	-	-
SF	-	-	-	-	-	-

	Torque, Lb-Ft	% Full Load Torque	Speed, RPM	Current Amps.
Locked Rotor Torque	-	-	-	-
Pull Up Torque	-	-	-	-
Breakdown Torque	-	-	-	-
Full Load	-	-	-	-

Speed Torque Curve

Please contact Techtop for image.

Dimensional Drawing



Dimensions are for reference only. Allowance should be made for minor deviations in non standard specified properties.

3D Image Link: Not available for this motor