

Techtop Industries Nameplate and Performance Data

| NAMEPLATE DATA | | |
|--|----------------|-----------|
| | 60 Hz. | 50 Hz. |
| Horsepower | 3.0 | 3.0 |
| Frame Size | 56HC | |
| Speed, RPM | 3490 | 2860 |
| Voltage | 3 Phase US | 190/380 |
| # Phase | 3 | |
| Full Load Amps | 7.86-7.26/3.63 | 8.66/4.33 |
| Power Factor | 0.88 | - |
| Nominal Efficiency | 86.5 | 84.4 |
| 3/4 Load Efficiency | - | - |
| Service Factor | 1.25 | 1.0 |
| Duty | Cont. / S1 | |
| FL Temp Rise °C | 47.0 | - |
| Enclosure | TEFC | |
| Ambient Temp °C | 40 | |
| KVA Code | K | H |
| FL Amps. @ 208 V | 7.86 | - |
| Insulation Class | F | |
| NEMA Design | B | |
| Weight | 38.0 | |
| DE Bearing | 6205ZZ | |
| NDE Bearing | 6205ZZ | |
| dB No-Load | - | |
| Rotor Wk ² , Lb-Ft ² | - | |
| Start Capacitor | - | |
| Start Capacitor V | - | |
| Run Capacitor | - | |
| Run Capacitor V | - | |
| Number of Leads | 9 | |
| Connection | YY/Y | |
| Coil Resistance | - | |

| | |
|---------------------|-------------------------------|
| Motor Model: | GR3-AL-TF-56HC-2-B-D-3 |
|---------------------|-------------------------------|

Performance Load Values:

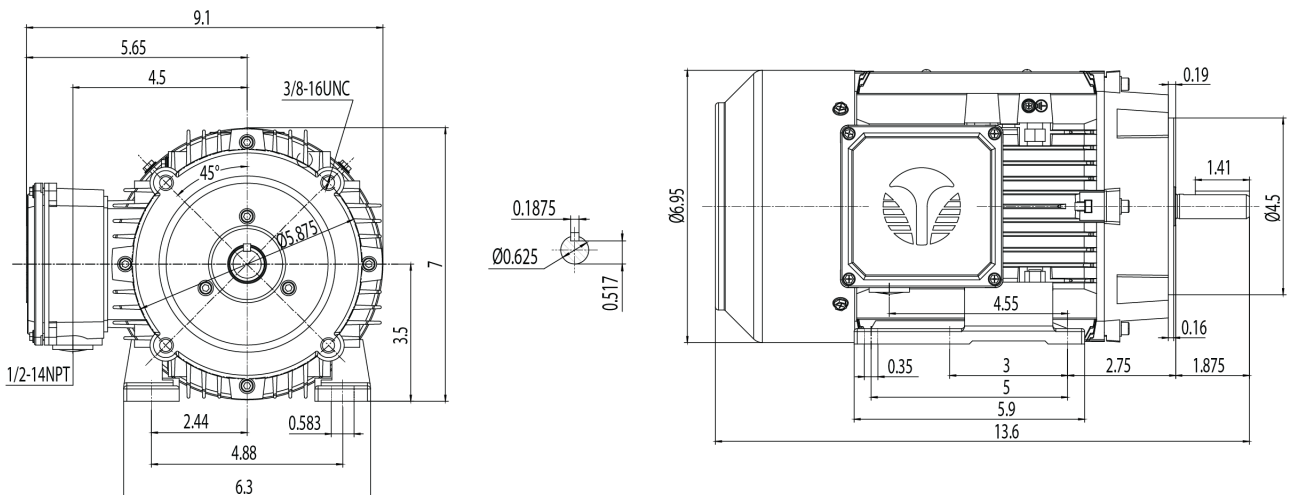
| % Load | Horsepower | Current, Amps | Input power, Kilowatts | Speed, RPM | Efficiency | PF |
|--------|------------|---------------|------------------------|------------|------------|----|
| 0 | - | - | - | - | - | - |
| 25 | - | - | - | - | - | - |
| 50 | - | - | - | - | - | - |
| 75 | - | - | - | - | - | - |
| 100 | - | - | - | - | - | - |
| 125 | - | - | - | - | - | - |
| 150 | - | - | - | - | - | - |
| SF | - | - | - | - | - | - |

| | Torque, Lb-Ft | % Full Load Torque | Speed, RPM | Current Amps. |
|---------------------|---------------|--------------------|------------|---------------|
| Locked Rotor Torque | - | - | - | - |
| Pull Up Torque | - | - | - | - |
| Breakdown Torque | - | - | - | - |
| Full Load | - | - | - | - |

Speed Torque Curve

Please contact Techtop for image.

Dimensional Drawing



Dimensions are for reference only. Allowance should be made for minor deviations in non standard specified properties.

3D Image Link: Not available for this motor