

## Techtop Industries Nameplate and Performance Data

| NAMEPLATE DATA                             |                      |        |
|--|----------------------|--------|
|  | 60 Hz.               | 50 Hz. |
| Horsepower                                 | 2.0                  | 2.0    |
| Frame Size                                 | 56C                  |        |
| Speed, RPM                                 | 3500                 | -      |
| Voltage                                    | 3 Phase US<br>(575V) | -      |
| # Phase                                    | 3                    |        |
| Full Load Amps                             | 2.09                 | -      |
| Power Factor                               | 0.84                 | -      |
| Nominal Efficiency                         | 85.5                 | -      |
| 3/4 Load Efficiency                        | -                    | -      |
| Service Factor                             | 1.25                 | -      |
| Duty                                       | Cont. / S1           |        |
| FL Temp Rise °C                            | 39.0                 | -      |
| Enclosure                                  | TEFC                 |        |
| Ambient Temp °C                            | 40                   |        |
| KVA Code                                   | L                    | -      |
| FL Amps. @ 208 V                           | -                    | -      |
| Insulation Class                           | F                    |        |
| NEMA Design                                | B                    |        |
| Weight                                     | 26.5                 |        |
| DE Bearing                                 | 6204ZZ               |        |
| NDE Bearing                                | 6204ZZ               |        |
| dB No-Load                                 | -                    |        |
| Rotor Wk <sup>2</sup> , Lb-Ft <sup>2</sup> | -                    |        |
| Start Capacitor                            | -                    |        |
| Start Capacitor V                          | -                    |        |
| Run Capacitor                              | -                    |        |
| Run Capacitor V                            | -                    |        |
| Number of Leads                            | 3                    |        |
| Connection                                 | Y                    |        |
| Coil Resistance                            | -                    |        |

|                     |                              |
|---------------------|------------------------------|
| <b>Motor Model:</b> | <b>GR3-AL-TF-56C-2-B-F-2</b> |
|---------------------|------------------------------|

Performance Load Values:

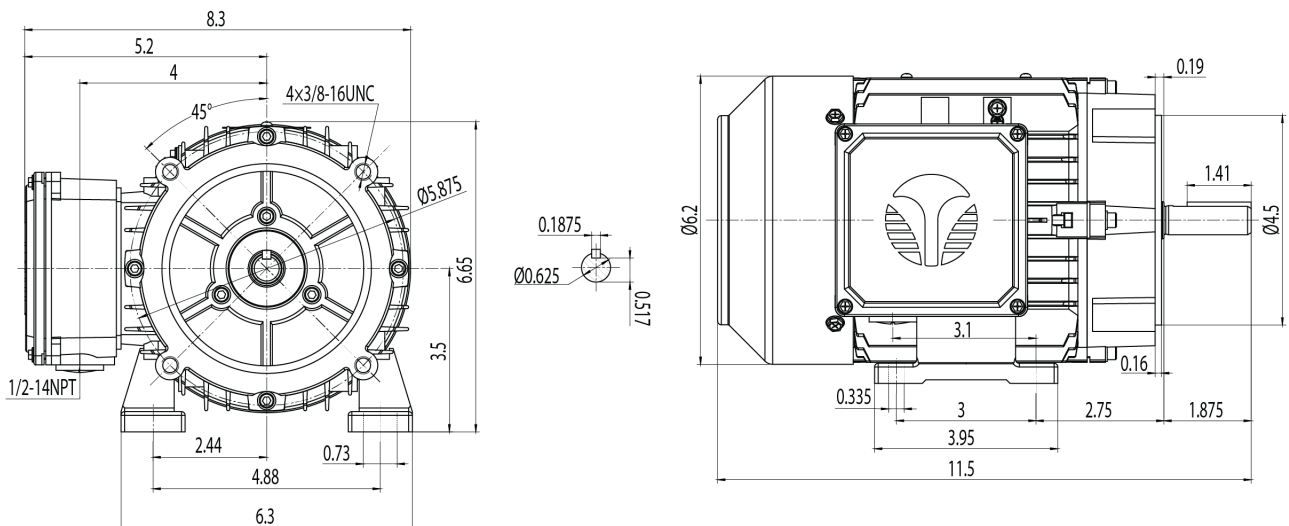
| % Load | Horsepower | Current, Amps | Input power, Kilowatts | Speed, RPM | Efficiency | PF |
|--------|------------|---------------|------------------------|------------|------------|----|
| 0      | -          | -             | -                      | -          | -          | -  |
| 25     | -          | -             | -                      | -          | -          | -  |
| 50     | -          | -             | -                      | -          | -          | -  |
| 75     | -          | -             | -                      | -          | -          | -  |
| 100    | -          | -             | -                      | -          | -          | -  |
| 125    | -          | -             | -                      | -          | -          | -  |
| 150    | -          | -             | -                      | -          | -          | -  |
| SF     | -          | -             | -                      | -          | -          | -  |

|                     | Torque, Lb-Ft | % Full Load Torque | Speed, RPM | Current Amps. |
|---------------------|---------------|--------------------|------------|---------------|
| Locked Rotor Torque | -             | -                  | -          | -             |
| Pull Up Torque      | -             | -                  | -          | -             |
| Breakdown Torque    | -             | -                  | -          | -             |
| Full Load           | -             | -                  | -          | -             |

### Speed Torque Curve

Please contact Techttop for image.

### Dimensional Drawing



Dimensions are for reference only. Allowance should be made for minor deviations in non standard specified properties.

3D Image Link: Not available for this motor

