

## Techtop Industries Nameplate and Performance Data

NAMEPLATE DATA		
	60 Hz.	50 Hz.
<b>Horsepower</b>	5.0	5.0
<b>Frame Size</b>	184T	
<b>Speed, RPM</b>	1750	1445
<b>Voltage</b>	3 Phase US	190/380
<b># Phase</b>	3	
<b>Full Load Amps</b>	12.4/6.18	14.5/7.25
<b>Power Factor</b>	0.84	-
<b>Nominal Efficiency</b>	89.5	88.4
<b>3/4 Load Efficiency</b>	-	-
<b>Service Factor</b>	1.25	1.0
<b>Duty</b>	Cont. / S1	
<b>FL Temp Rise °C</b>	37.0	37.0
<b>Enclosure</b>	TEFC	
<b>Ambient Temp °C</b>	40	
<b>KVA Code</b>	L	H
<b>FL Amps. @ 208 V</b>	13.2	-
<b>Insulation Class</b>	F	
<b>NEMA Design</b>	A	
<b>Weight</b>	73.5	
<b>DE Bearing</b>	6306ZZ	
<b>NDE Bearing</b>	6206ZZ	
<b>dB No-Load</b>	-	
<b>Rotor Wk<sup>2</sup>, Lb-Ft<sup>2</sup></b>	-	
<b>Start Capacitor</b>		
<b>Start Capacitor V</b>	-	
<b>Run Capacitor</b>		
<b>Run Capacitor V</b>	-	
<b>Number of Leads</b>	9	
<b>Connection</b>	YY/Y	
<b>Coil Resistance</b>	2.45	

<b>Motor Model:</b>	<b>GR3-AL-TF-184T-4-B-D-5</b>
---------------------	-------------------------------

Performance Load Values:

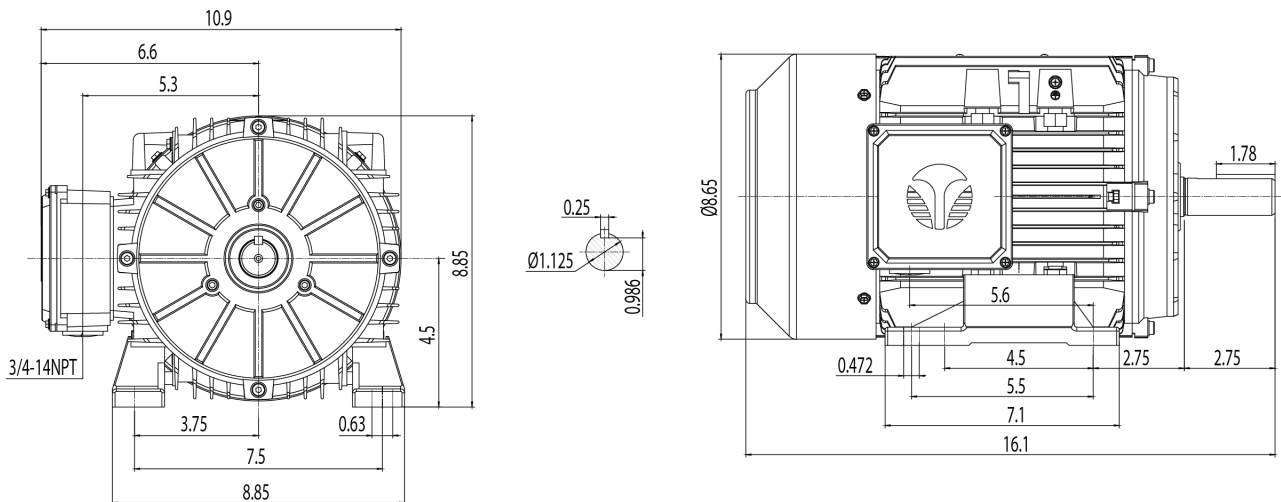
% Load	Horsepower	Current, Amps	Input power, Kilowatts	Speed, RPM	Efficiency	PF
0	-	-	-	-	-	-
25	1.25	-	-	-	-	-
50	2.5	-	-	-	-	-
75	3.75	-	-	-	-	-
100	5.0	-	-	-	-	-
125	6.25	-	-	-	-	-
150	7.5	-	-	-	-	-
SF	-	-	-	-	-	-

	Torque, Lb-Ft	% Full Load Torque	Speed, RPM	Current Amps.
Locked Rotor Torque	43.6506	2.94	-	8.66
Pull Up Torque	-	-	-	-
Breakdown Torque	20.0436	1.35	-	-
Full Load	14.8471	100.0	-	12.1

### Speed Torque Curve

Please contact Techtop for image.

### Dimensional Drawing



Dimensions are for reference only. Allowance should be made for minor deviations in non standard specified properties.

3D Image Link: Not available for this motor