

Techtop Industries Nameplate and Performance Data

NAMEPLATE DATA		
	60 Hz.	50 Hz.
Horsepower	3.0	3.0
Frame Size	182T	
Speed, RPM	1760	1455
Voltage	3 Phase US	190/380
# Phase	3	
Full Load Amps	7.62/3.81	8.86/4.43
Power Factor	0.81	-
Nominal Efficiency	89.5	88.4
3/4 Load Efficiency	-	-
Service Factor	1.25	1.0
Duty	Cont. / S1	
FL Temp Rise °C	24.0	24.0
Enclosure	TEFC	
Ambient Temp °C	40	
KVA Code	L	J
FL Amps. @ 208 V	8.03	-
Insulation Class	F	
NEMA Design	A	
Weight	62.0	
DE Bearing	6306ZZ	
NDE Bearing	6206ZZ	
dB No-Load	-	
Rotor Wk ² , Lb-Ft ²	-	
Start Capacitor		
Start Capacitor V	-	
Run Capacitor		
Run Capacitor V	-	
Number of Leads	9	
Connection	YY/Y	
Coil Resistance	4.0	

Motor Model:	GR3-AL-TF-182T-4-B-D-3
---------------------	-------------------------------

Performance Load Values:

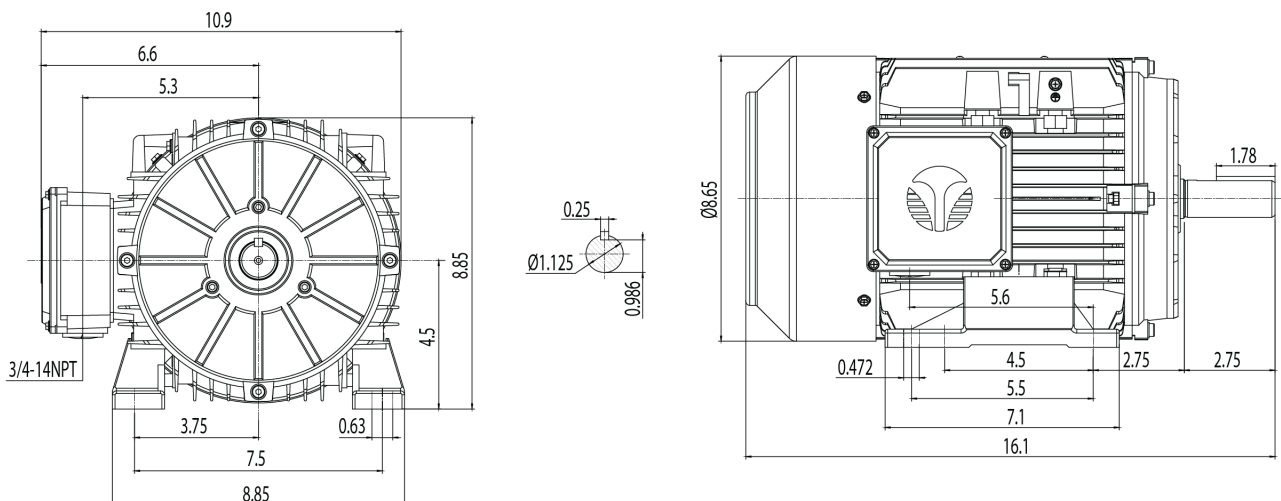
% Load	Horsepower	Current, Amps	Input power, Kilowatts	Speed, RPM	Efficiency	PF
0	-	1.95	-	-	-	-
25	0.75	-	-	-	-	-
50	1.5	-	-	-	-	-
75	2.25	-	-	-	-	-
100	3.0	-	-	-	-	-
125	3.75	-	-	-	-	-
150	4.5	-	-	-	-	-
SF	-	-	-	-	-	-

	Torque, Lb-Ft	% Full Load Torque	Speed, RPM	Current Amps.
Locked Rotor Torque	22.7706	2.59	-	9.98
Pull Up Torque	-	-	-	-
Breakdown Torque	21.8035	2.48	-	-
Full Load	8.79174	100.0	-	3.78

Speed Torque Curve

Please contact Techtop for image.

Dimensional Drawing



Dimensions are for reference only. Allowance should be made for minor deviations in non standard specified properties.

3D Image Link: Not available for this motor