

Techtop Industries Nameplate and Performance Data

NAMEPLATE DATA		
	60 Hz.	50 Hz.
Horsepower	40.0	40.0
Frame Size	324JM	
Speed, RPM	1770	-
Voltage	3 Phase US	-
# Phase	3	
Full Load Amps	94.2/47.1	-
Power Factor	0.87	-
Nominal Efficiency	93.0	-
3/4 Load Efficiency	-	-
Service Factor	1.25	-
Duty	Cont. / S1	
FL Temp Rise °C	55.0	70.0
Enclosure	TEFC	
Ambient Temp °C	40	
KVA Code	E	-
FL Amps. @ 208 V	-	-
Insulation Class	F	
NEMA Design	B	
Weight	584.0	
DE Bearing	6312 C3	
NDE Bearing	6312 C3	
dB No-Load	-	
Rotor Wk ² , Lb-Ft ²	0.2653	
Start Capacitor		
Start Capacitor V		
Run Capacitor		
Run Capacitor V		
Number of Leads	12	
Connection	??/?	
Coil Resistance	-	

Motor Model:	GA3-CI-TF-324JM-4-BR-D-40
---------------------	----------------------------------

Performance Load Values:

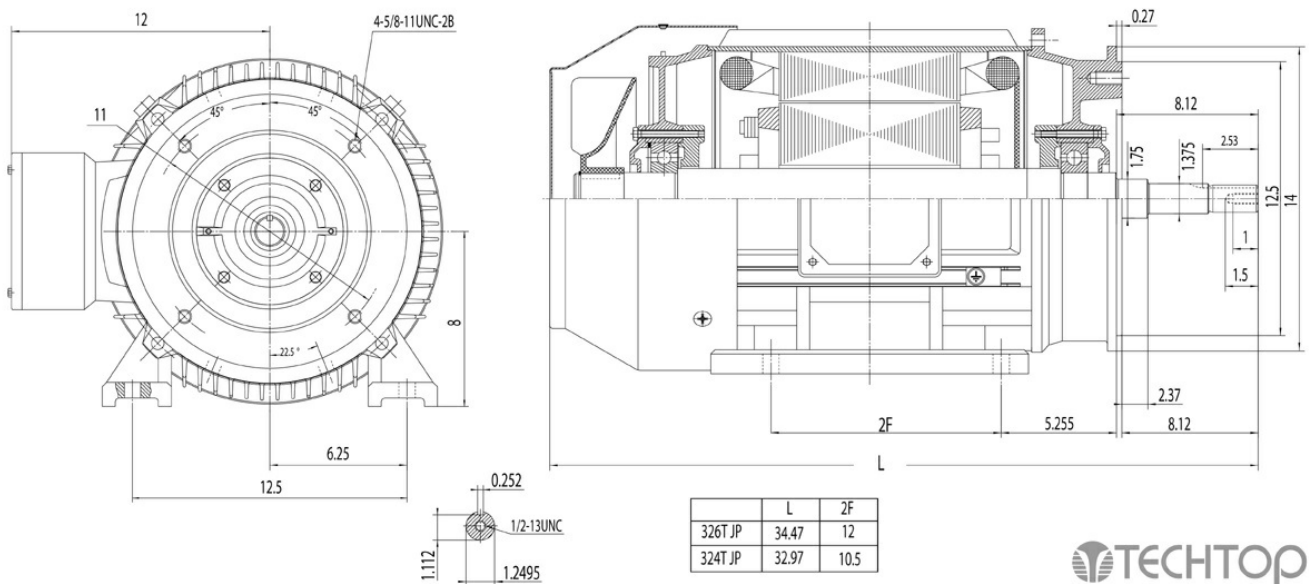
% Load	Horsepower	Current, Amps	Input power, Kilowatts	Speed, RPM	Efficiency	PF
0	-	-	-	-	-	-
25	-	-	-	-	-	-
50	-	-	-	-	-	-
75	-	-	-	-	-	-
100	-	-	-	-	-	-
125	-	-	-	-	-	-
150	-	-	-	-	-	-
SF	-	-	-	-	-	-

	Torque, Lb-Ft	% Full Load Torque	Speed, RPM	Current Amps.
Locked Rotor Torque	-	-	-	-
Pull Up Torque	-	-	-	-
Breakdown Torque	-	-	-	-
Full Load	-	-	-	-

Speed Torque Curve

Please contact Techtop for image.

Dimensional Drawing



Dimensions are for reference only. Allowance should be made for minor deviations in non standard specified properties.

3D Image Link: Not available for this motor