

Techtop Industries Nameplate and Performance Data

| NAMEPLATE DATA | | |
|--|----------------------|--------|
| | 60 Hz. | 50 Hz. |
| Horsepower | 20.0 | 20.0 |
| Frame Size | 256JM | |
| Speed, RPM | 1760 | - |
| Voltage | 3 Phase US (575V) | - |
| # Phase | 3 | |
| Full Load Amps | 18.8 | - |
| Power Factor | 0.84 | - |
| Nominal Efficiency | 91.0 | - |
| 3/4 Load Efficiency | - | - |
| Service Factor | 1.25 | - |
| Duty | Cont. / S1 | |
| FL Temp Rise °C | 65.0 | - |
| Enclosure | TEFC | |
| Ambient Temp °C | 40 | |
| KVA Code | G | - |
| FL Amps. @ 208 V | - | - |
| Insulation Class | F | |
| NEMA Design | B | |
| Weight | 315.0 | |
| DE Bearing | 6309 C3 | |
| NDE Bearing | 6309 C3 | |
| dB No-Load | - | |
| Rotor Wk ² , Lb-Ft ² | 0.0936 | |
| Start Capacitor | | |
| Start Capacitor V | | |
| Run Capacitor | | |
| Run Capacitor V | | |
| Number of Leads | 6 | |
| Connection | ? | |
| Coil Resistance | - | |

| | |
|--------------|---------------------------|
| Motor Model: | GA3-CI-TF-256JM-4-BR-F-20 |
|--------------|---------------------------|

Performance Load Values:

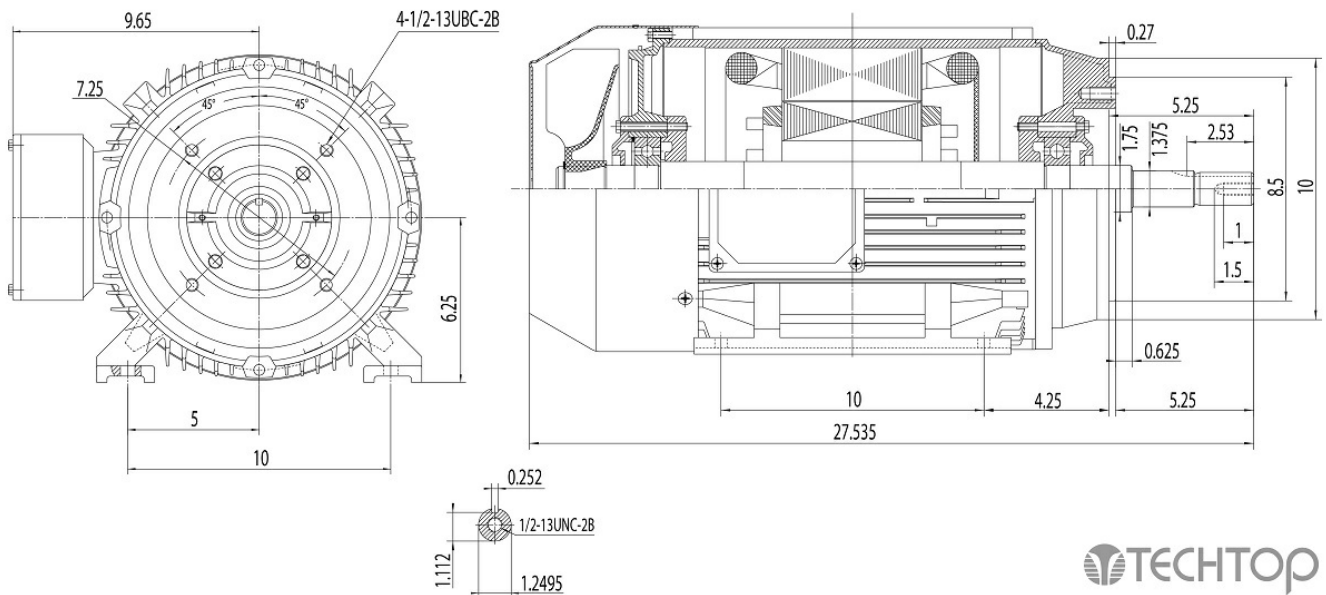
| % Load | Horsepower | Current, Amps | Input power, Kilowatts | Speed, RPM | Efficiency | PF |
|--------|------------|---------------|------------------------|------------|------------|----|
| 0 | - | - | - | - | - | - |
| 25 | - | - | - | - | - | - |
| 50 | - | - | - | - | - | - |
| 75 | - | - | - | - | - | - |
| 100 | - | - | - | - | - | - |
| 125 | - | - | - | - | - | - |
| 150 | - | - | - | - | - | - |
| SF | - | - | - | - | - | - |

| | Torque, Lb-Ft | % Full Load Torque | Speed, RPM | Current Amps. |
|---------------------|---------------|--------------------|------------|---------------|
| Locked Rotor Torque | - | - | - | - |
| Pull Up Torque | - | - | - | - |
| Breakdown Torque | - | - | - | - |
| Full Load | - | - | - | - |

Speed Torque Curve

Please contact Techtop for image.

Dimensional Drawing



Dimensions are for reference only. Allowance should be made for minor deviations in non standard specified properties.

3D Image Link: Not available for this motor

