

Techtop Industries Nameplate and Performance Data

NAMEPLATE DATA		
	60 Hz.	50 Hz.
Horsepower	200.0	200.0
Frame Size	449TC	
Speed, RPM	1180	980
Voltage	3 Phase US	380
# Phase	3	
Full Load Amps	224.6806142	277
Power Factor	0.87	-
Nominal Efficiency	95.8	94.0
3/4 Load Efficiency	-	-
Service Factor	1.15	1.0
Duty	Cont. / S1	
FL Temp Rise °C	113.0	-
Enclosure	TEFC	
Ambient Temp °C	40	
KVA Code	H	E
FL Amps. @ 208 V	-	-
Insulation Class	F	
NEMA Design	A	
Weight	2244.69	
DE Bearing	NU319	
NDE Bearing	6319C3	
dB No-Load	-	
Rotor Wk ² , Lb-Ft ²	-	
Start Capacitor	-	
Start Capacitor V	-	
Run Capacitor	-	
Run Capacitor V	-	
Number of Leads	6	
Connection	?	
Coil Resistance	-	

Motor Model:	BR3-CI-TF-449TC-6-RR-E-200
---------------------	-----------------------------------

Performance Load Values:

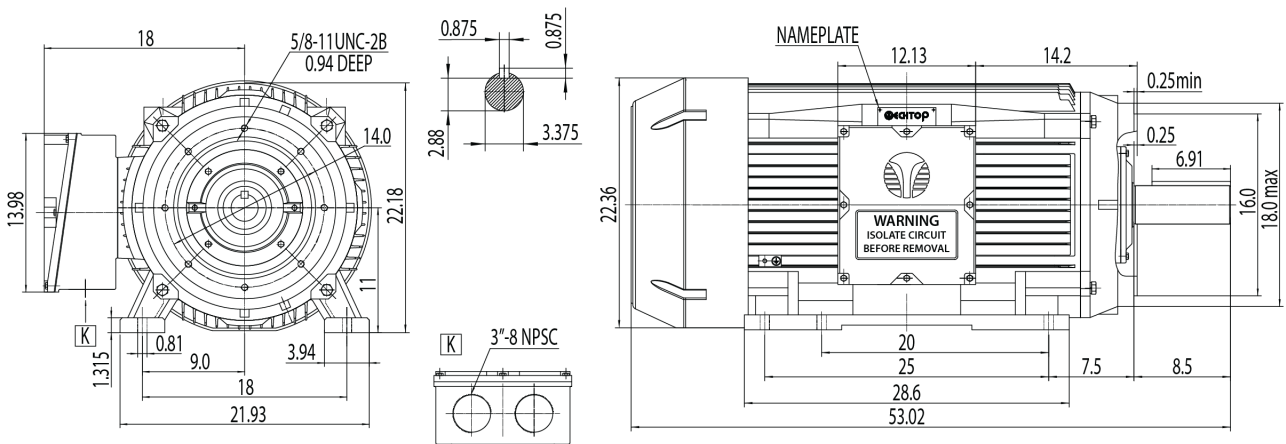
% Load	Horsepower	Current, Amps	Input power, Kilowatts	Speed, RPM	Efficiency	PF
0	100.0	86.89	-	-	-	-
25	100.0	105.68	46.68	1197.5	92.38	0.55
50	100.0	150.24	90.87	1195.1	94.92	0.76
75	150.0	203.98	135.81	1192.3	95.26	0.84
100	200.0	265.03	181.63	1189.4	94.97	0.86
125	100.0	304.38	209.57	1187.5	94.66	0.86
150	100.0	331.5	228.4	1186.2	94.41	0.86
SF	-	-	-	-	-	-

	Torque, Lb-Ft	% Full Load Torque	Speed, RPM	Current Amps.
Locked Rotor Torque	2467.2	241.0	-	772.0
Pull Up Torque	0.0	-	-	-
Breakdown Torque	3030.26	296.0	-	-
Full Load	1023.74	100.0	1191.9	265.0

Speed Torque Curve

Please contact Techtop for image.

Dimensional Drawing



Dimensions are for reference only. Allowance should be made for minor deviations in non standard specified properties.

3D Image Link: Not available for this motor