

## Techtop Industries Nameplate and Performance Data

| NAMEPLATE DATA                             |             |        |
|--|-------------|--------|
|  | 60 Hz.      | 50 Hz. |
| Horsepower                                 | 200.0       | 200.0  |
| Frame Size                                 | 447TC       |        |
| Speed, RPM                                 | 1780        | 1480   |
| Voltage                                    | 3 Phase US  | 380    |
| # Phase                                    | 3           |        |
| Full Load Amps                             | 218.7183825 | 269    |
| Power Factor                               | 0.89        | -      |
| Nominal Efficiency                         | 96.2        | 94.0   |
| 3/4 Load Efficiency                        | -           | -      |
| Service Factor                             | 1.15        | 1.0    |
| Duty                                       | Cont. / S1  |        |
| FL Temp Rise °C                            | 74.0        | -      |
| Enclosure                                  | TEFC        |        |
| Ambient Temp °C                            | 40          |        |
| KVA Code                                   | H           | D      |
| FL Amps. @ 208 V                           | -           | -      |
| Insulation Class                           | F           |        |
| NEMA Design                                | A           |        |
| Weight                                     | 2055.06     |        |
| DE Bearing                                 | 6319C3      |        |
| NDE Bearing                                | 6319C3      |        |
| dB No-Load                                 | -           |        |
| Rotor Wk <sup>2</sup> , Lb-Ft <sup>2</sup> | -           |        |
| Start Capacitor                            | -           |        |
| Start Capacitor V                          | -           |        |
| Run Capacitor                              | -           |        |
| Run Capacitor V                            | -           |        |
| Number of Leads                            | 6           |        |
| Connection                                 | ?           |        |
| Coil Resistance                            | -           |        |

|                     |                                   |
|---------------------|-----------------------------------|
| <b>Motor Model:</b> | <b>BR3-CI-TF-447TC-4-BR-E-200</b> |
|---------------------|-----------------------------------|

Performance Load Values:

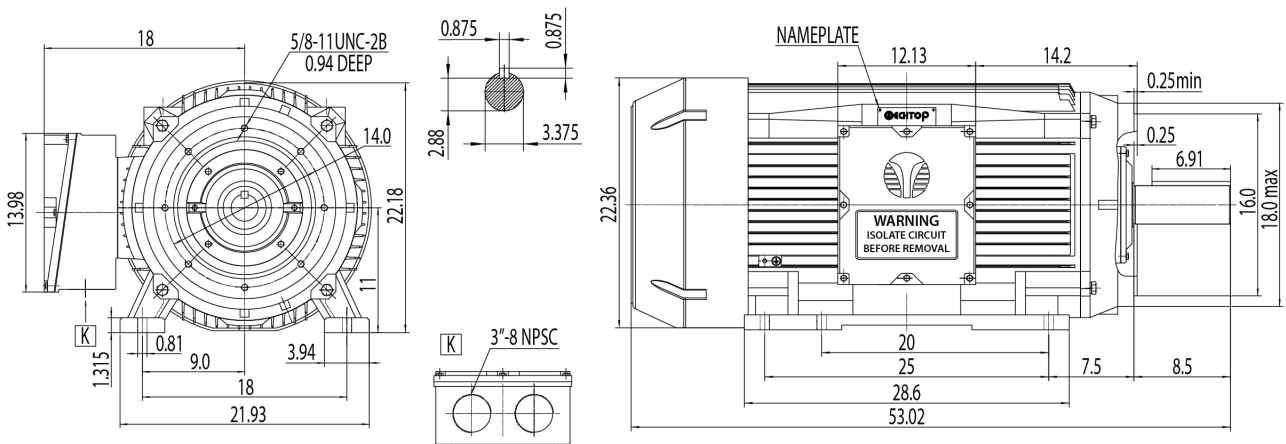
| % Load | Horsepower | Current, Amps | Input power, Kilowatts | Speed, RPM | Efficiency | PF   |
|--------|------------|---------------|------------------------|------------|------------|------|
| 0      | 100.0      | 84.68         | -                      | -          | -          | -    |
| 25     | 100.0      | 100.46        | 40.44                  | 1797.7     | 92.73      | 0.51 |
| 50     | 100.0      | 134.85        | 78.67                  | 1795.5     | 95.34      | 0.73 |
| 75     | 150.0      | 177.4         | 117.4                  | 1793.2     | 95.83      | 0.83 |
| 100    | 200.0      | 225.59        | 156.67                 | 1790.9     | 95.74      | 0.87 |
| 125    | 100.0      | 256.15        | 180.49                 | 1789.4     | 95.57      | 0.88 |
| 150    | 100.0      | 276.87        | 196.49                 | 1788.5     | 95.43      | 0.89 |
| SF     | -          | -             | -                      | -          | -          | -    |

|                     | Torque, Lb-Ft | % Full Load Torque | Speed, RPM | Current Amps. |
|---------------------|---------------|--------------------|------------|---------------|
| Locked Rotor Torque | 2627.68       | 450.0              | -          | 1196.0        |
| Pull Up Torque      | 1775.14       | 304.0              | -          | -             |
| Breakdown Torque    | 2277.32       | 390.0              | -          | -             |
| Full Load           | 583.928       | 100.0              | 1790.9     | 225.6         |

### Speed Torque Curve

Please contact Techtop for image.

### Dimensional Drawing



Dimensions are for reference only. Allowance should be made for minor deviations in non standard specified properties.

3D Image Link: Not available for this motor