

Techtop Industries Nameplate and Performance Data

| NAMEPLATE DATA | | |
|--|-------------|--------|
| | 60 Hz. | 50 Hz. |
| Horsepower | 150.0 | 150.0 |
| Frame Size | 447T | |
| Speed, RPM | 1180 | 980 |
| Voltage | 3 Phase US | 380 |
| # Phase | 3 | |
| Full Load Amps | 170.4698846 | 205 |
| Power Factor | 0.87 | - |
| Nominal Efficiency | 95.8 | 94.0 |
| 3/4 Load Efficiency | - | - |
| Service Factor | 1.15 | 1.0 |
| Duty | Cont. / S1 | |
| FL Temp Rise °C | 86.0 | - |
| Enclosure | TEFC | |
| Ambient Temp °C | 40 | |
| KVA Code | H | E |
| FL Amps. @ 208 V | - | - |
| Insulation Class | F | |
| NEMA Design | A | |
| Weight | 2041.83 | |
| DE Bearing | NU319 | |
| NDE Bearing | 6319C3 | |
| dB No-Load | - | |
| Rotor Wk ² , Lb-Ft ² | - | |
| Start Capacitor | - | |
| Start Capacitor V | - | |
| Run Capacitor | - | |
| Run Capacitor V | - | |
| Number of Leads | 6 | |
| Connection | ? | |
| Coil Resistance | - | |

| | |
|---------------------|----------------------------------|
| Motor Model: | BR3-CI-TF-447T-6-RR-E-150 |
|---------------------|----------------------------------|

Performance Load Values:

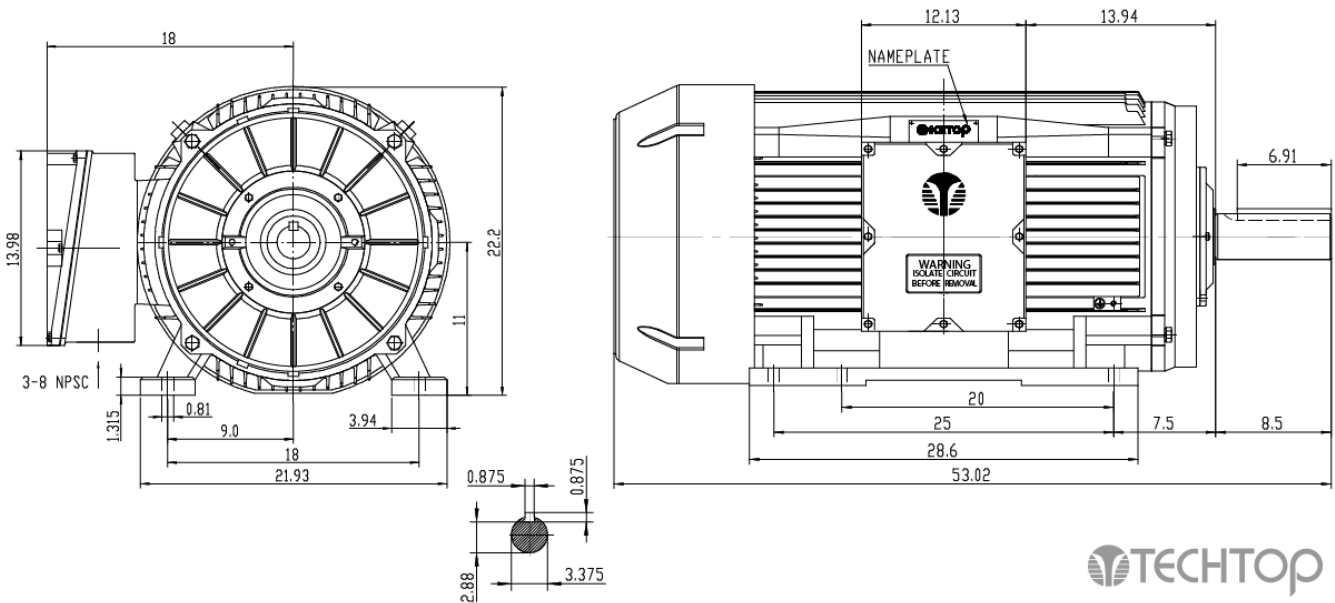
| % Load | Horsepower | Current, Amps | Input power, Kilowatts | Speed, RPM | Efficiency | PF |
|--------|------------|---------------|------------------------|------------|------------|------|
| 0 | 75.0 | 84.78 | - | - | - | - |
| 25 | 75.0 | 96.55 | 35.54 | 1197.9 | 90.75 | 0.46 |
| 50 | 75.0 | 125.58 | 68.42 | 1196.0 | 94.27 | 0.68 |
| 75 | 112.5 | 162.53 | 101.76 | 1193.9 | 95.08 | 0.79 |
| 100 | 150.0 | 205.53 | 135.61 | 1191.6 | 95.13 | 0.83 |
| 125 | 75.0 | 252.72 | 170.0 | 1189.2 | 94.85 | 0.84 |
| 150 | 75.0 | 302.22 | 204.97 | 1186.6 | 94.4 | 0.85 |
| SF | - | - | - | - | - | - |

| | Torque, Lb-Ft | % Full Load Torque | Speed, RPM | Current Amps. |
|---------------------|---------------|--------------------|------------|---------------|
| Locked Rotor Torque | 2127.76 | 279.0 | - | 847.0 |
| Pull Up Torque | 1677.81 | 220.0 | - | - |
| Breakdown Torque | 2547.22 | 334.0 | - | - |
| Full Load | 762.639 | 100.0 | 1193.4 | 205.5 |

Speed Torque Curve

Please contact Techtop for image.

Dimensional Drawing



Dimensions are for reference only. Allowance should be made for minor deviations in non standard specified properties.

3D Image Link: Not available for this motor