

Techtop Industries Nameplate and Performance Data

NAMEPLATE DATA		
	60 Hz.	50 Hz.
Horsepower	200.0	200.0
Frame Size	447T	
Speed, RPM	1780	1480
Voltage	3 Phase US	380
# Phase	3	
Full Load Amps	218.7183825	269
Power Factor	0.89	-
Nominal Efficiency	96.2	94.0
3/4 Load Efficiency	-	-
Service Factor	1.15	1.0
Duty	Cont. / S1	
FL Temp Rise °C	74.0	-
Enclosure	TEFC	
Ambient Temp °C	40	
KVA Code	H	D
FL Amps. @ 208 V	-	-
Insulation Class	F	
NEMA Design	A	
Weight	2055.06	
DE Bearing	6319C3	
NDE Bearing	6319C3	
dB No-Load	-	
Rotor Wk ² , Lb-Ft ²	-	
Start Capacitor	-	
Start Capacitor V	-	
Run Capacitor	-	
Run Capacitor V	-	
Number of Leads	6	
Connection	?	
Coil Resistance	-	

Motor Model:	BR3-CI-TF-447T-4-BR-E-200
---------------------	----------------------------------

Performance Load Values:

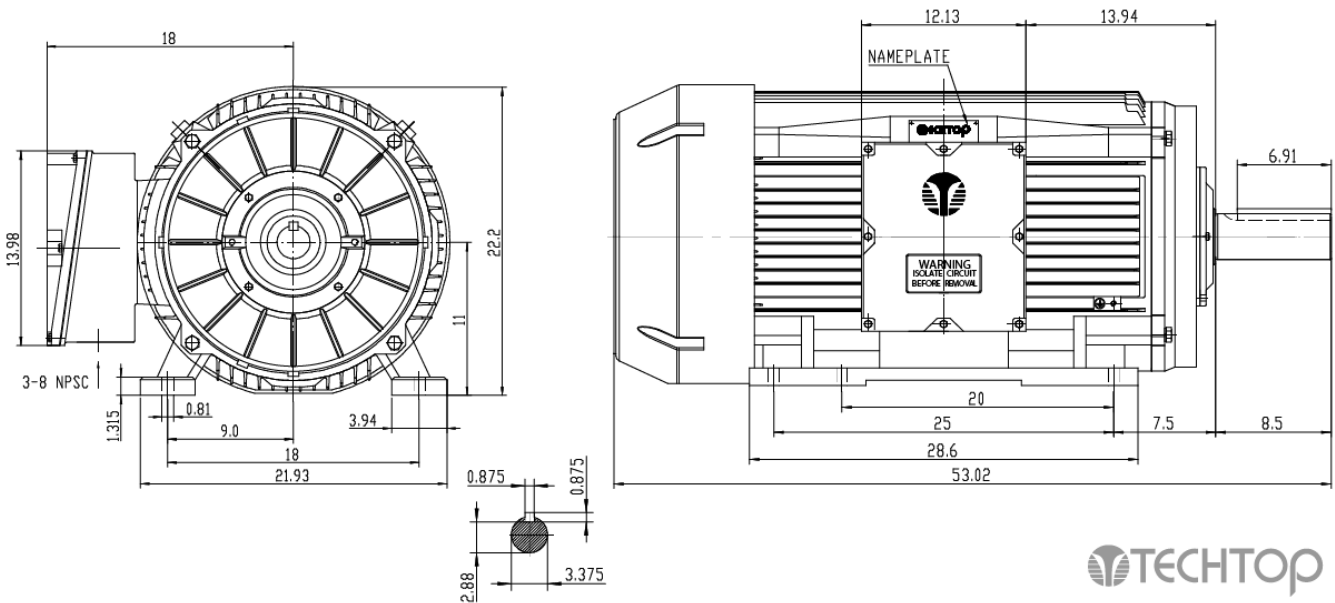
% Load	Horsepower	Current, Amps	Input power, Kilowatts	Speed, RPM	Efficiency	PF
0	100.0	84.68	-	-	-	-
25	100.0	100.46	40.44	1797.7	92.73	0.51
50	100.0	134.85	78.67	1795.5	95.34	0.73
75	150.0	177.4	117.4	1793.2	95.83	0.83
100	200.0	225.59	156.67	1790.9	95.74	0.87
125	100.0	256.15	180.49	1789.4	95.57	0.88
150	100.0	276.87	196.49	1788.5	95.43	0.89
SF	-	-	-	-	-	-

	Torque, Lb-Ft	% Full Load Torque	Speed, RPM	Current Amps.
Locked Rotor Torque	2627.68	450.0	-	1196.0
Pull Up Torque	1775.14	304.0	-	-
Breakdown Torque	2277.32	390.0	-	-
Full Load	583.928	100.0	1790.9	225.6

Speed Torque Curve

Please contact Techtop for image.

Dimensional Drawing



Dimensions are for reference only. Allowance should be made for minor deviations in non standard specified properties.

3D Image Link: <https://onedrive.live.com/redir?resid=D9AD913FBF3860CC!2032&authkey=IAHuChOYDnzrccQ4&ihint=file%2cSTEP>