

| NAMEPLATE DATA | | |
|--|------------|--------|
| | 60 Hz. | 50 Hz. |
| Horsepower | 100.0 | - |
| Frame Size | 405TC | |
| Speed, RPM | 1780 | 1480 |
| Voltage | 3 Phase US | 380 |
| # Phase | 3 | |
| Full Load Amps | 114.0 | - |
| Power Factor | 0.86 | - |
| Nominal Efficiency | 95.4 | - |
| 3/4 Load Efficiency | - | - |
| Service Factor | 1.15 | 1.0 |
| Duty | Cont. / S1 | |
| FL Temp Rise °C | 70.0 | 97.0 |
| Enclosure | TEFC | |
| Ambient Temp °C | 40 | |
| KVA Code | F | E |
| FL Amps. @ 208 V | - | - |
| Insulation Class | F | |
| NEMA Design | B | |
| Weight | 1032.0 | |
| DE Bearing | 6316C3 | |
| NDE Bearing | 6314C3 | |
| dB No-Load | 90.0 | |
| Rotor Wk ² , Lb-Ft ² | 0.8794 | |
| Start Capacitor | - | |
| Start Capacitor V | - | |
| Run Capacitor | - | |
| Run Capacitor V | - | |
| Number of Leads | 6 | |
| Connection | ? | |
| Coil Resistance | - | |

| | |
|---------------------|-----------------------------------|
| Motor Model: | BR3-CI-TF-405TC-4-BR-E-100 |
|---------------------|-----------------------------------|

Performance Load Values:

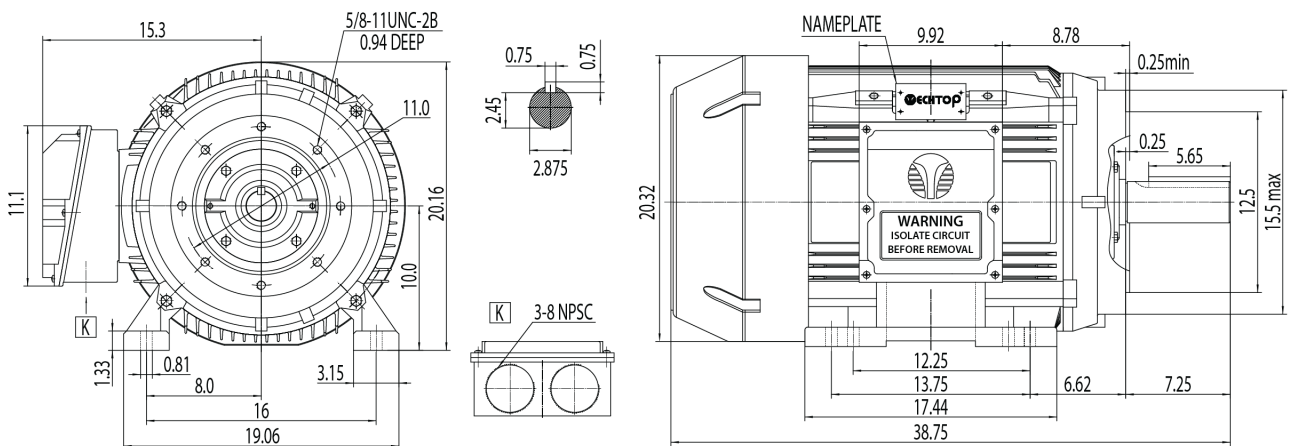
| % Load | Horsepower | Current, Amps | Input power, Kilowatts | Speed, RPM | Efficiency | PF |
|--------|------------|---------------|------------------------|------------|------------|------|
| 0 | - | - | - | - | - | - |
| 25 | - | - | - | - | - | - |
| 50 | - | - | - | - | 95.0 | 0.73 |
| 75 | - | - | - | - | 95.2 | 0.82 |
| 100 | - | - | - | - | 95.4 | 0.86 |
| 125 | - | - | - | - | - | - |
| 150 | - | - | - | - | - | - |
| SF | - | - | - | - | - | - |

| | Torque, Lb-Ft | % Full Load Torque | Speed, RPM | Current Amps. |
|---------------------|---------------|--------------------|------------|---------------|
| Locked Rotor Torque | 829.942 | 280.0 | - | - |
| Pull Up Torque | 503.893 | 170.0 | - | - |
| Breakdown Torque | 948.505 | 320.0 | - | - |
| Full Load | 296.408 | 100.0 | - | - |

Speed Torque Curve

Please contact Techtop for image.

Dimensional Drawing



Dimensions are for reference only. Allowance should be made for minor deviations in non standard specified properties.

3D Image Link: Not available for this motor