

## Techtop Industries Nameplate and Performance Data

NAMEPLATE DATA		
	60 Hz.	50 Hz.
Horsepower	75.0	-
Frame Size	365TS	
Speed, RPM	3560	2940
Voltage	3 Phase US	380
# Phase	3	
Full Load Amps	84.3	-
Power Factor	0.9	-
Nominal Efficiency	93.6	-
3/4 Load Efficiency	-	-
Service Factor	1.15	1.0
Duty	Cont. / S1	
FL Temp Rise °C	61.0	77.0
Enclosure	TEFC	
Ambient Temp °C	40	
KVA Code	E	F
FL Amps. @ 208 V	-	-
Insulation Class	F	
NEMA Design	B	
Weight	858.0	
DE Bearing	6313C3	
NDE Bearing	6313C3	
dB No-Load	92.0	
Rotor Wk <sup>2</sup> , Lb-Ft <sup>2</sup>	0.3581	
Start Capacitor	-	
Start Capacitor V	-	
Run Capacitor	-	
Run Capacitor V	-	
Number of Leads	6	
Connection	?	
Coil Resistance	-	

<b>Motor Model:</b>	<b>BR3-CI-TF-365TS-2-BR-E-75</b>
---------------------	----------------------------------

Performance Load Values:

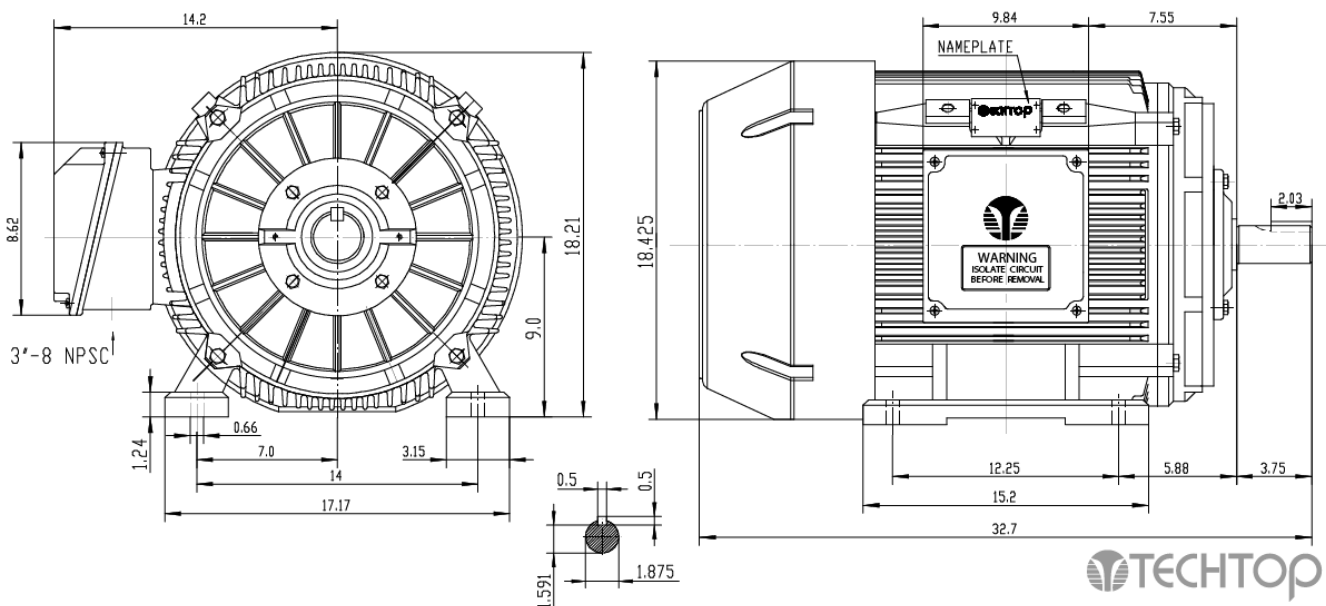
% Load	Horsepower	Current, Amps	Input power, Kilowatts	Speed, RPM	Efficiency	PF
0	-	-	-	-	-	-
25	-	-	-	-	-	-
50	-	-	-	-	93.2	0.82
75	-	-	-	-	92.8	0.88
100	-	-	-	-	93.6	0.9
125	-	-	-	-	-	-
150	-	-	-	-	-	-
SF	-	-	-	-	-	-

	Torque, Lb-Ft	% Full Load Torque	Speed, RPM	Current Amps.
Locked Rotor Torque	333.459	300.0	-	-
Pull Up Torque	177.845	160.0	-	-
Breakdown Torque	366.805	330.0	-	-
Full Load	111.153	100.0	-	-

### Speed Torque Curve

Please contact Techtop for image.

### Dimensional Drawing



Dimensions are for reference only. Allowance should be made for minor deviations in non standard specified properties.

3D Image Link: Not available for this motor

Techtop Industries  
2815 Colonnades Court  
Peachtree Corners, GA 30071  
Tel: 678-436-5540  
E-Mail: info@techttopind.com