

Techtop Industries Nameplate and Performance Data

NAMEPLATE DATA		
	60 Hz.	50 Hz.
Horsepower	30.0	-
Frame Size	286TC	
Speed, RPM	1770	1460
Voltage	3 Phase US	380
# Phase	3	
Full Load Amps	35.5	-
Power Factor	0.85	-
Nominal Efficiency	93.6	-
3/4 Load Efficiency	-	-
Service Factor	1.25	1.0
Duty	Cont. / S1	
FL Temp Rise °C	60.0	82.0
Enclosure	TEFC	
Ambient Temp °C	40	
KVA Code	F	F
FL Amps. @ 208 V	-	-
Insulation Class	F	
NEMA Design	B	
Weight	404.0	
DE Bearing	6311C3	
NDE Bearing	6311C3	
dB No-Load	74.0	
Rotor Wk ² , Lb-Ft ²	0.1702	
Start Capacitor	-	
Start Capacitor V	-	
Run Capacitor	-	
Run Capacitor V	-	
Number of Leads	6	
Connection	?	
Coil Resistance	-	

Motor Model:	BR3-CI-TF-286TC-4-BR-E-30
---------------------	----------------------------------

Performance Load Values:

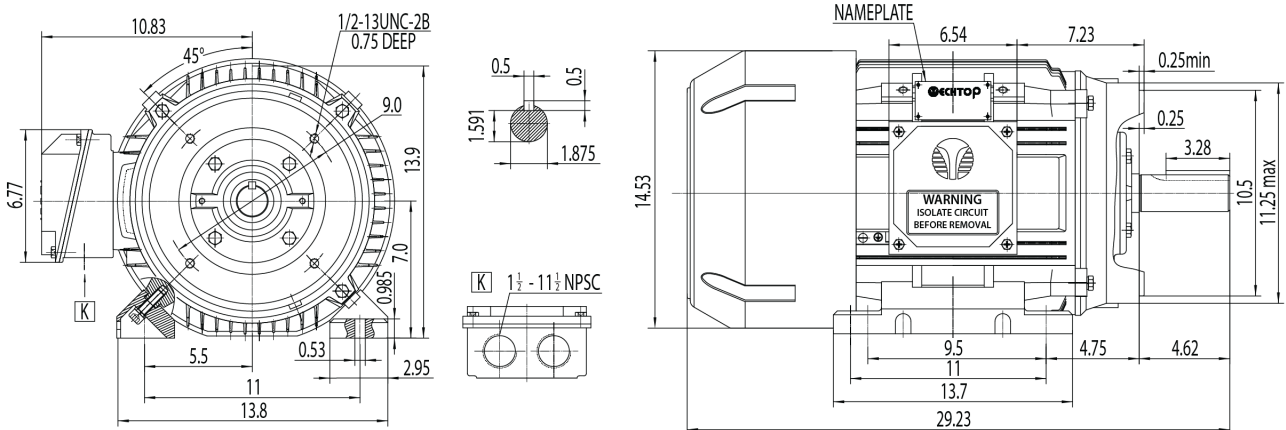
% Load	Horsepower	Current, Amps	Input power, Kilowatts	Speed, RPM	Efficiency	PF
0	-	-	-	-	-	-
25	-	-	-	-	-	-
50	-	-	-	-	92.6	0.71
75	-	-	-	-	93.5	0.81
100	-	-	-	-	93.6	0.85
125	-	-	-	-	-	-
150	-	-	-	-	-	-
SF	-	-	-	-	-	-

	Torque, Lb-Ft	% Full Load Torque	Speed, RPM	Current Amps.
Locked Rotor Torque	232.504	260.0	-	-
Pull Up Torque	178.85	200.0	-	-
Breakdown Torque	321.929	360.0	-	-
Full Load	89.4248	100.0	-	-

Speed Torque Curve

Please contact Techtop for image.

Dimensional Drawing



Dimensions are for reference only. Allowance should be made for minor deviations in non standard specified properties.

3D Image Link: Not available for this motor