

Techtop Industries Nameplate and Performance Data

NAMEPLATE DATA		
	60 Hz.	50 Hz.
Horsepower	0.5	-
Frame Size	56	
Speed, RPM	1725	-
Voltage	3 Phase US	-
# Phase	-	
Full Load Amps	0.95/1.9	-
Power Factor	-	-
Nominal Efficiency	-	-
3/4 Load Efficiency	-	-
Service Factor	1.25	-
Duty	-	
FL Temp Rise °C	-	-
Enclosure	ODP	
Ambient Temp °C	-	
KVA Code	-	-
FL Amps. @ 208 V	-	-
Insulation Class	F	
NEMA Design	-	
Weight	16.72	
DE Bearing	-	
NDE Bearing	-	
dB No-Load	-	
Rotor Wk ² , Lb-Ft ²	-	
Start Capacitor	-	
Start Capacitor V	-	
Run Capacitor	-	
Run Capacitor V	-	
Number of Leads	-	
Connection	-	
Coil Resistance	-	

Motor Model:	BL3-RS-OP-56-4-B-D-.5-RS
---------------------	---------------------------------

Performance Load Values:

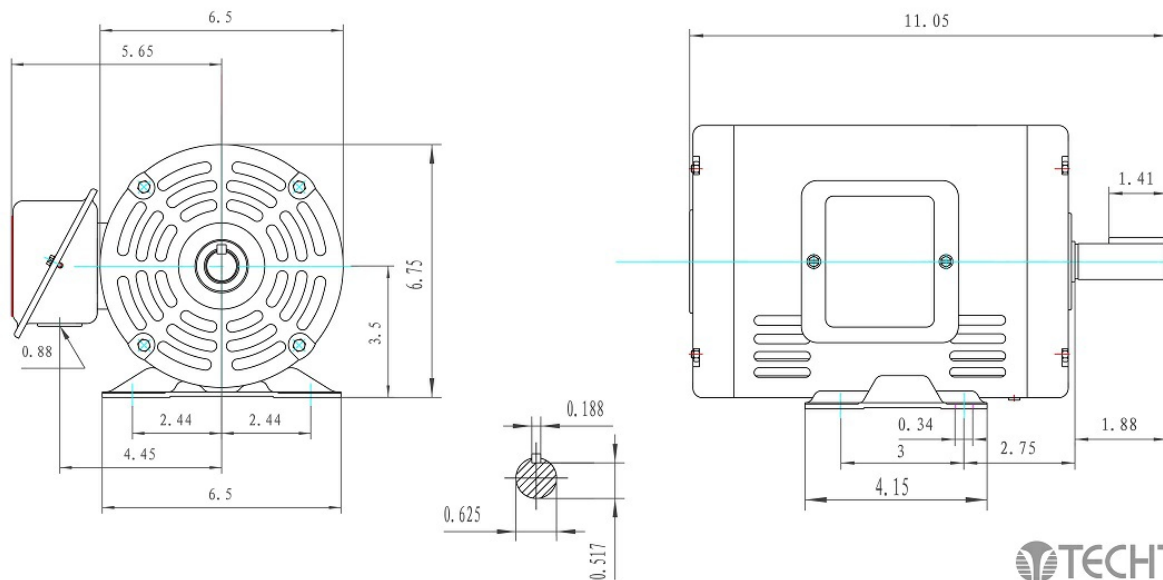
% Load	Horsepower	Current, Amps	Input power, Kilowatts	Speed, RPM	Efficiency	PF
0	-	-	-	-	-	-
25	-	-	-	-	-	-
50	-	-	-	-	-	-
75	-	-	-	-	-	-
100	-	-	-	-	-	-
125	-	-	-	-	-	-
150	-	-	-	-	-	-
SF	-	-	-	-	-	-

	Torque, Lb-Ft	% Full Load Torque	Speed, RPM	Current Amps.
Locked Rotor Torque	-	-	-	-
Pull Up Torque	-	-	-	-
Breakdown Torque	-	-	-	-
Full Load	-	-	-	-

Speed Torque Curve

Please contact Techtop for image.

Dimensional Drawing



Dimensions are for reference only. Allowance should be made for minor deviations in non standard specified properties.

3D Image Link: Not available for this motor