

## Techtop Industries Nameplate and Performance Data

NAMEPLATE DATA		
	60 Hz.	50 Hz.
Horsepower	0.25	0.25
Frame Size	63B34	
Speed, RPM	3330	2680
Voltage	3 Phase US	190/380
# Phase	3	
Full Load Amps	0.88/0.44	1.06/0.53
Power Factor	0.74	-
Nominal Efficiency	69.5	-
3/4 Load Efficiency	-	-
Service Factor	1.15	1.0
Duty	Cont. / S1	
FL Temp Rise °C	-	-
Enclosure	TEFC	
Ambient Temp °C	40	
KVA Code	H	E
FL Amps. @ 208 V	0.9	-
Insulation Class	F	
NEMA Design	-	
Weight	8.8	
DE Bearing	6201ZZ	
NDE Bearing	6201ZZ	
dB No-Load	-	
Rotor Wk <sup>2</sup> , Lb-Ft <sup>2</sup>	-	
Start Capacitor		
Start Capacitor V		
Run Capacitor		
Run Capacitor V		
Number of Leads	9	
Connection	YY/Y	
Coil Resistance	-	

<b>Motor Model:</b>	<b>BL3-AL-TF-63B34-2-B-D-.25</b>
---------------------	----------------------------------

Performance Load Values:

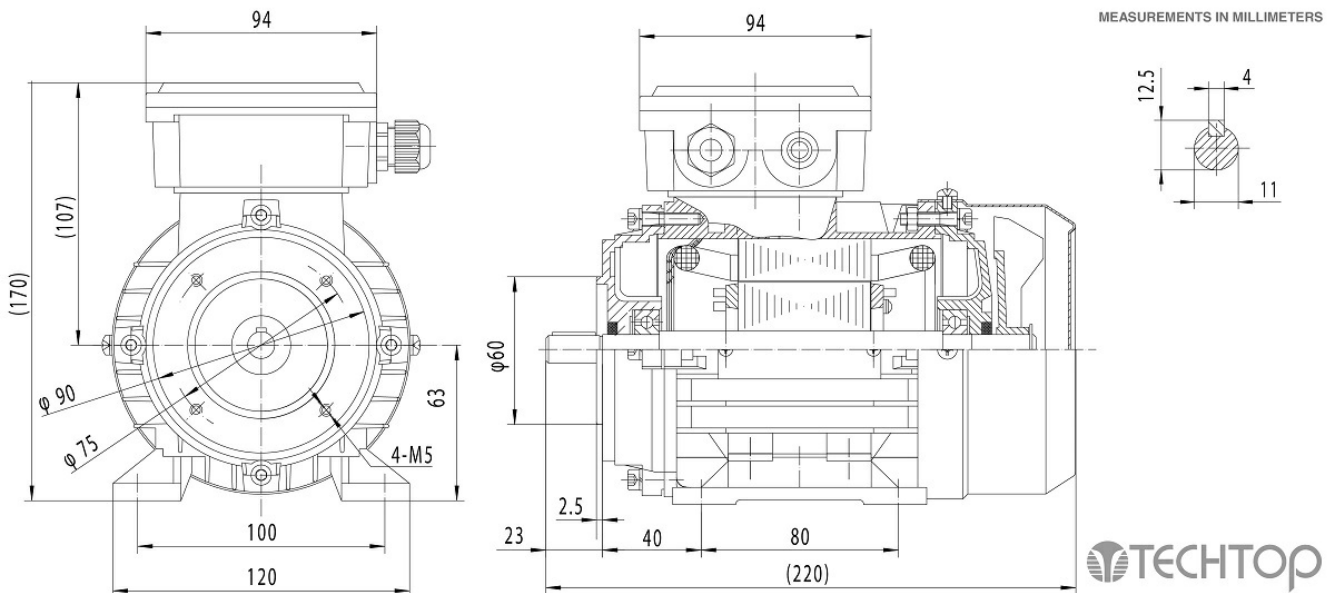
% Load	Horsepower	Current, Amps	Input power, Kilowatts	Speed, RPM	Efficiency	PF
0	-	-	-	-	-	-
25	-	-	-	-	-	-
50	-	-	-	-	-	-
75	-	-	-	-	-	-
100	-	-	-	-	-	-
125	-	-	-	-	-	-
150	-	-	-	-	-	-
SF	-	-	-	-	-	-

	Torque, Lb-Ft	% Full Load Torque	Speed, RPM	Current Amps.
Locked Rotor Torque	-	-	-	-
Pull Up Torque	-	-	-	-
Breakdown Torque	-	-	-	-
Full Load	-	-	-	-

### Speed Torque Curve

Please contact Techtop for image.

### Dimensional Drawing



Dimensions are for reference only. Allowance should be made for minor deviations in non standard specified properties.

3D Image Link: Not available for this motor