

## Techtop Industries Nameplate and Performance Data

| NAMEPLATE DATA                             |            |           |
|--|------------|-----------|
|  | 60 Hz.     | 50 Hz.    |
| Horsepower                                 | 0.18       | 0.18      |
| Frame Size                                 | 56B35      |           |
| Speed, RPM                                 | 3330       | 2680      |
| Voltage                                    | 3 Phase US | 190/380   |
| # Phase                                    | 3          |           |
| Full Load Amps                             | 0.70/0.35  | 0.84/0.42 |
| Power Factor                               | 0.73       | -         |
| Nominal Efficiency                         | 65.9       | -         |
| 3/4 Load Efficiency                        | -          | -         |
| Service Factor                             | 1.15       | 1.0       |
| Duty                                       | Cont. / S1 |           |
| FL Temp Rise °C                            | -          | -         |
| Enclosure                                  | TEFC       |           |
| Ambient Temp °C                            | 40         |           |
| KVA Code                                   | H          | E         |
| FL Amps. @ 208 V                           | 0.72       | -         |
| Insulation Class                           | F          |           |
| NEMA Design                                | -          |           |
| Weight                                     | 6.6        |           |
| DE Bearing                                 | 6201ZZ     |           |
| NDE Bearing                                | 6201ZZ     |           |
| dB No-Load                                 | -          |           |
| Rotor Wk <sup>2</sup> , Lb-Ft <sup>2</sup> | -          |           |
| Start Capacitor                            | -          |           |
| Start Capacitor V                          | -          |           |
| Run Capacitor                              | -          |           |
| Run Capacitor V                            | -          |           |
| Number of Leads                            | 9          |           |
| Connection                                 | YY/Y       |           |
| Coil Resistance                            | -          |           |

|                     |                                  |
|---------------------|----------------------------------|
| <b>Motor Model:</b> | <b>BL3-AL-TF-56B35-2-B-D-.18</b> |
|---------------------|----------------------------------|

Performance Load Values:

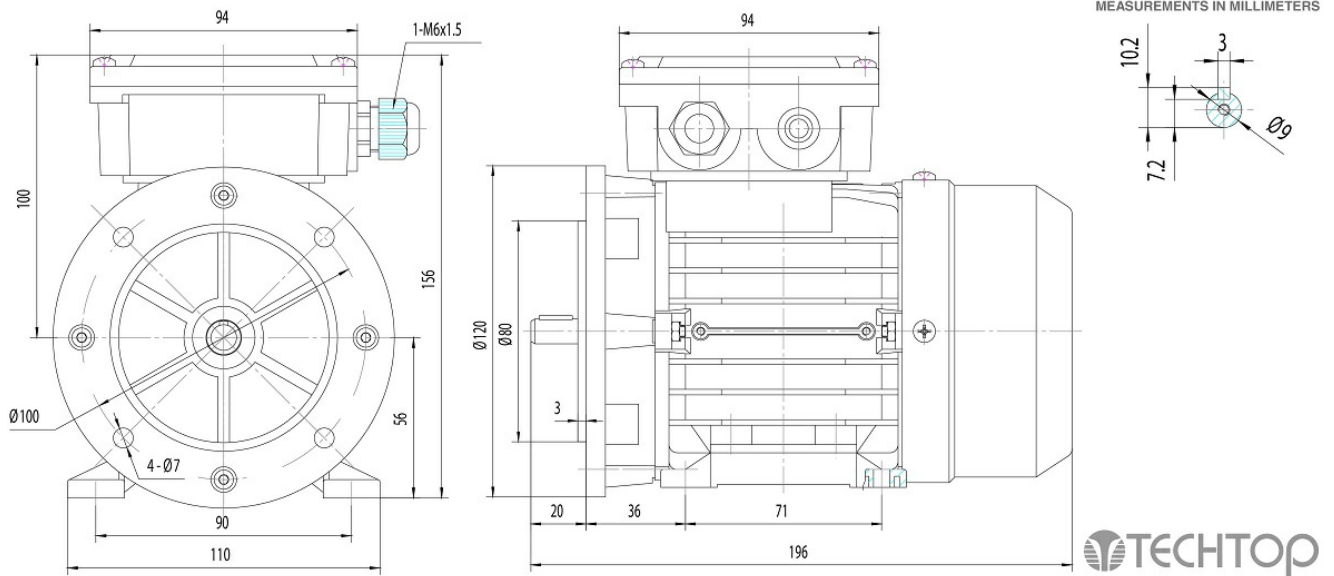
| % Load | Horsepower | Current, Amps | Input power, Kilowatts | Speed, RPM | Efficiency | PF |
|--------|------------|---------------|------------------------|------------|------------|----|
| 0      | -          | -             | -                      | -          | -          | -  |
| 25     | -          | -             | -                      | -          | -          | -  |
| 50     | -          | -             | -                      | -          | -          | -  |
| 75     | -          | -             | -                      | -          | -          | -  |
| 100    | -          | -             | -                      | -          | -          | -  |
| 125    | -          | -             | -                      | -          | -          | -  |
| 150    | -          | -             | -                      | -          | -          | -  |
| SF     | -          | -             | -                      | -          | -          | -  |

|                     | Torque, Lb-Ft | % Full Load Torque | Speed, RPM | Current Amps. |
|---------------------|---------------|--------------------|------------|---------------|
| Locked Rotor Torque | -             | -                  | -          | -             |
| Pull Up Torque      | -             | -                  | -          | -             |
| Breakdown Torque    | -             | -                  | -          | -             |
| Full Load           | -             | -                  | -          | -             |

### Speed Torque Curve

Please contact Techtop for image.

### Dimensional Drawing



Dimensions are for reference only. Allowance should be made for minor deviations in non standard specified properties.

3D Image Link: Not available for this motor