

| NAMEPLATE DATA                             |             |        |
|--|-------------|--------|
|  | 60 Hz.      | 50 Hz. |
| Horsepower                                 | 3.0         | -      |
| Frame Size                                 | 254T        |        |
| Speed, RPM                                 | 1123        | -      |
| Voltage                                    | 3 Phase US  | -      |
| # Phase                                    | -           |        |
| Full Load Amps                             | 8.8/4.4/2.5 | -      |
| Power Factor                               | 0.77        | 3.0    |
| Nominal Efficiency                         | 82.7        | -      |
| 3/4 Load Efficiency                        | -           | -      |
| Service Factor                             | 1.15        | -      |
| Duty                                       | -           |        |
| FL Temp Rise °C                            | -           | -      |
| Enclosure                                  | TEFC        |        |
| Ambient Temp °C                            | -           |        |
| KVA Code                                   | J           | -      |
| FL Amps. @ 208 V                           | -           | -      |
| Insulation Class                           | F           |        |
| NEMA Design                                | D           |        |
| Weight                                     | 162.0       |        |
| DE Bearing                                 | 6308ZZ      |        |
| NDE Bearing                                | 6308ZZ      |        |
| dB No-Load                                 | -           |        |
| Rotor Wk <sup>2</sup> , Lb-Ft <sup>2</sup> | -           |        |
| Start Capacitor                            | -           |        |
| Start Capacitor V                          | -           |        |
| Run Capacitor                              | -           |        |
| Run Capacitor V                            | -           |        |
| Number of Leads                            | 12          |        |
| Connection                                 | -           |        |
| Coil Resistance                            | 0.0         |        |

|                     |                               |
|---------------------|-------------------------------|
| <b>Motor Model:</b> | <b>BK3-CI-TF-213T-6-B-G-3</b> |
|---------------------|-------------------------------|

Performance Load Values:

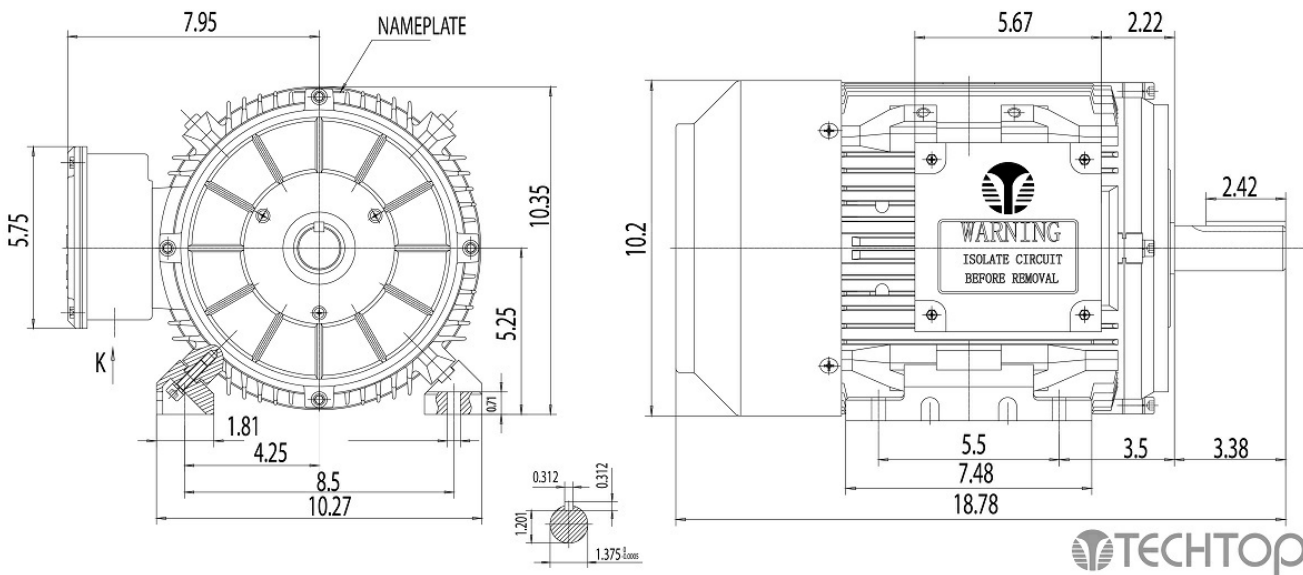
| % Load | Horsepower | Current, Amps | Input power, Kilowatts | Speed, RPM | Efficiency | PF   |
|--------|------------|---------------|------------------------|------------|------------|------|
| 0      | -          | -             | -                      | -          | -          | -    |
| 25     | -          | -             | -                      | -          | -          | -    |
| 50     | -          | -             | -                      | -          | -          | -    |
| 75     | -          | -             | -                      | -          | 83.2       | -    |
| 100    | -          | -             | -                      | -          | 82.7       | 0.77 |
| 125    | -          | -             | -                      | -          | -          | -    |
| 150    | -          | -             | -                      | -          | -          | -    |
| SF     | -          | -             | -                      | -          | -          | -    |

|                     | Torque, Lb-Ft | % Full Load Torque | Speed, RPM | Current Amps. |
|---------------------|---------------|--------------------|------------|---------------|
| Locked Rotor Torque | -             | -                  | -          | -             |
| Pull Up Torque      | -             | -                  | -          | -             |
| Breakdown Torque    | -             | -                  | -          | -             |
| Full Load           | -             | -                  | -          | -             |

#### Speed Torque Curve

Please contact Techttop for image.

#### Dimensional Drawing



Dimensions are for reference only. Allowance should be made for minor deviations in non standard specified properties.

3D Image Link: <https://onedrive.live.com/redir?resid=D9AD913FBF3860CC!2009&authkey=IADLwa4Im-NXPXsq&ithint=file%2cSTEP>